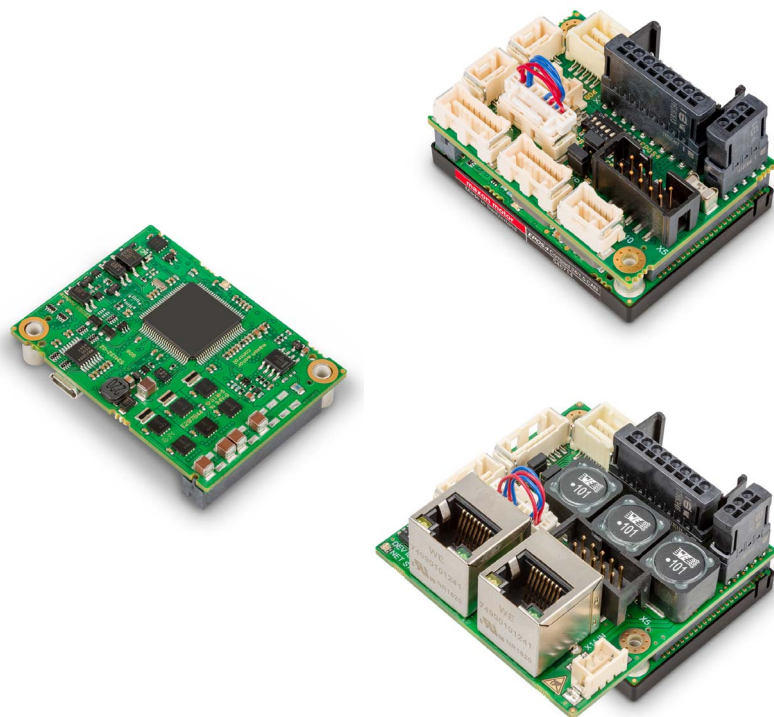


EPOS4 Module 24/1.5

EPOS4 Compact 24/1.5



Hardware Reference



epos.maxongroup.com

TABLE OF CONTENTS

1	ABOUT	5
1.1	About this Document.	5
1.2	About the Devices.	8
1.3	About the Safety Precautions	10
2	SPECIFICATIONS	11
2.1	Technical Data	11
2.2	Thermal Data	14
2.3	Limitations.	15
2.4	Dimensional Drawings	16
2.5	Standards	19
3	SETUP	21
3.1	Generally applicable Rules	21
3.2	Pin Assignment for Module Version	22
3.3	Pin Assignment for Connector Boards & Compact Versions	25
3.3.1	EPOS4 CB 24/1.5 CAN (536997) / EPOS4 Compact 24/1.5 CAN (546714)	25
3.3.2	EPOS4 CB 24/1.5 EtherCAT (620048) / EPOS4 Compact 24/1.5 EtherCAT (628092)	25
3.3.3	Cabling	26
3.3.4	Tools	27
3.3.5	Connections	28
3.3.5.1	Power & Logic Supply (X1/X2)	29
3.3.5.2	Motor & Hall Sensors (X3a/X4a) (X3b/X4b)	30
3.3.5.3	DC Motor (X3c)	32
3.3.5.4	Encoder (X5)	33
3.3.5.5	Sensor (X6)	35
3.3.5.6	Digital I/O (X7)	37
3.3.5.7	Analog I/O (X8)	38

READ THIS FIRST

These instructions are intended for qualified technical personnel. Prior commencing with any activities...

- you must carefully read and understand this manual and
- you must follow the instructions given therein.

EPOS4 Module 24/1.5 and EPOS4 Compact 24/1.5 positioning controllers are considered as partly completed machinery according to EU Directive 2006/42/EC, Article 2, Clause (g) and are intended to be incorporated into or assembled with other machinery or other partly completed machinery or equipment.

Therefore, you must not put the device into service,...

- unless you have made completely sure that the other machinery fully complies with the EU directive's requirements!
- unless the other machinery fulfills all relevant health and safety aspects!
- unless all respective interfaces have been established and fulfill the herein stated requirements!

3.3.5.8	STO (X9)	39
3.3.5.9	RS232 (X10)	40
3.3.5.10	CAN 1 (X11) & CAN 2 (X12)	41
3.3.5.11	EtherCAT IN (X14) & EtherCAT OUT (X15)	42
3.3.6	Adapters for maxon EC motors with Flexprint Cable (FPC)	44
3.3.7	DIP Switch Configuration (SW1)	46
3.3.7.1	CAN ID (Node-ID) / DEV ID	46
3.3.7.2	CAN automatic Bit Rate Detection (Compact CAN)	48
3.3.7.3	CAN Bus Termination (Compact CAN)	48
3.3.7.4	Digital Input Level	48
3.3.8	Jumper Configuration (JP1)	49
3.3.8.1	Connection of DC Motor with integrated Motor/Encoder Ribbon Cable	49
3.3.9	Spare Parts	49
3.4	Connection Specifications	50
3.4.1	Power Supply	50
3.4.2	Logic Supply	51
3.4.3	Motor	52
3.4.4	Hall Sensor	53
3.4.5	Encoder	54
3.4.6	Sensor	57
3.4.6.1	Incremental Encoder	57
3.4.6.2	SSI Absolute Encoder	63
3.4.6.3	High-speed Digital I/Os	65
3.4.7	Digital I/Os	68
3.4.7.1	Module	68
3.4.7.2	Compact	69
3.4.8	Safe Torque Off I/Os	72
3.4.9	Analog I/Os	74
3.4.10	Serial Communication Interface (SCI) / RS232	76
3.4.10.1	Module	76
3.4.10.2	Compact CAN	77
3.4.11	CAN Interface / ID Setting	78
3.4.11.1	Connection	78
3.4.11.2	Configuration	79
3.4.12	Serial Peripheral Interface (SPI)	81
3.4.13	USB (X13)	82
3.5	Status Indicators	83
4	MOTHERBOARD DESIGN GUIDE	85
4.1	Requirements for Components of Third-party Suppliers	86
4.1.1	Socket Headers	86
4.1.2	Supply Voltage	86
4.1.3	Logic Supply Voltage	87
4.1.4	Motor Cables and Motor Chokes	88
4.1.5	RS232 Transceiver	89
4.1.6	Recommended Components and Manufacturers	90

4.2	Design Guidelines	91
4.2.1	Ground	91
4.2.2	Layout	91
4.3	SMT Footprint	92
5	WIRING	93
5.1	Possible Combinations to connect a Motor	94
5.2	Main Wiring Diagrams	96
5.3	Excerpts	98

1 ABOUT

1.1 About this Document

1.1.1 Intended Purpose

Use the document to...
–stay safe,
–be fast,
–end up with set up and ready-to-go equipment.

The purpose of the present document is to familiarize you with the EPOS4 Module 24/1.5 and EPOS4 Compact 24/1.5 positioning controllers. It will highlight the tasks for safe and adequate installation and/or commissioning. Follow the described instructions ...

- to avoid dangerous situations,
- to keep installation and/or commissioning time at a minimum,
- to increase reliability and service life of the described equipment.

The present document is part of a documentation set and contains performance data and specifications, information on fulfilled standards, details on connections and pin assignment, and wiring examples. The below overview shows the documentation hierarchy and the interrelationship of its individual parts:

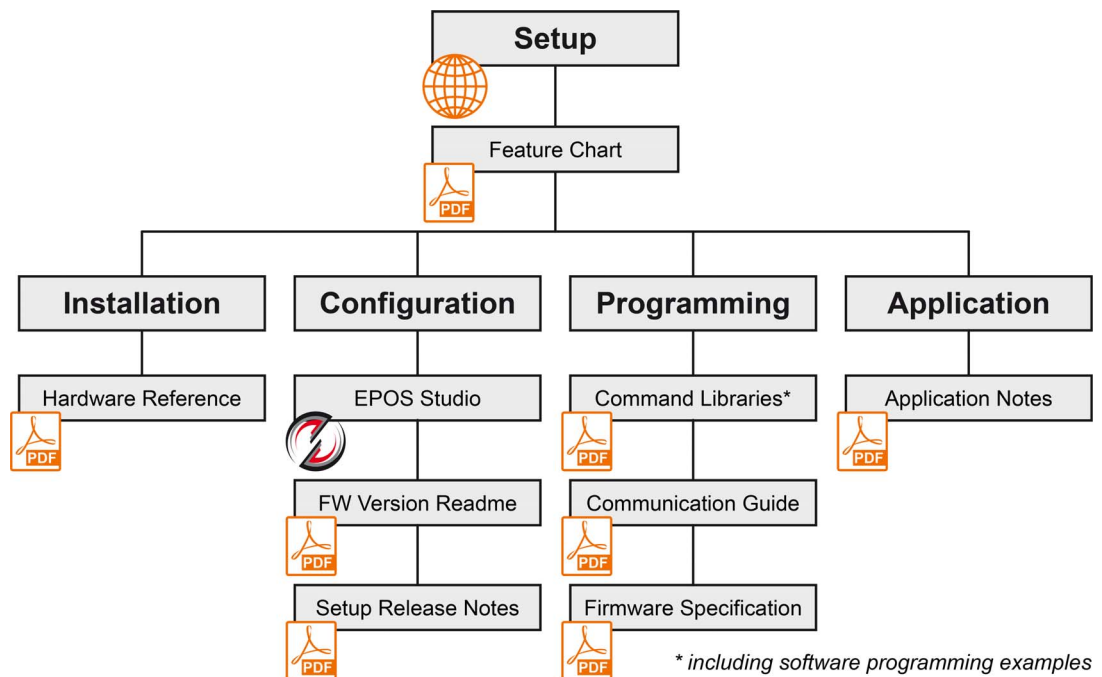


Figure 1-1 Documentation structure

1.1.2 Target Audience

The present document is intended for trained and skilled personnel. It conveys information on how to understand and fulfill the respective work and duties.

1.1.3 How to use

If not stated otherwise, the described details are valid for both the plug-in module and the stand-alone compact version (→ chapter “1.2 About the Devices” on page 1-8).

Throughout the document, the following notations and codes will be used.

Notation	Meaning
(n)	refers to an item (such as part numbers, list items, etc.)
→	denotes “see”, “see also”, “take note of” or “go to”

Table 1-1 Notation used

1.1.4 Symbols & Signs

In the course of the present document, the following symbols and signs will be used.







Type	Symbol	Meaning	
Safety alert	 (typical)	DANGER	Indicates an imminent hazardous situation . If not avoided, it will result in death or serious injury .
		WARNING	Indicates a potential hazardous situation . If not avoided, it can result in death or serious injury .
		CAUTION	Indicates a probable hazardous situation or calls the attention to unsafe practices. If not avoided, it may result in injury .
Prohibited action	 (typical)	Indicates a dangerous action. Hence, you must not!	
Mandatory action	 (typical)	Indicates a mandatory action. Hence, you must!	
Information		Requirement / Note / Remark	Indicates an activity you must perform prior continuing, or gives information on a particular item you need to observe.
		Best practice	Indicates an advice or recommendation on the easiest and best way to further proceed.
		Material Damage	Indicates information particular to possible damage of the equipment.

Table 1-2 Symbols and signs

1.1.5 Trademarks and Brand Names

For easier legibility, registered brand names are listed below and will not be further tagged with their respective trademark. It must be understood that the brands (the list below is not necessarily concluding) are protected by copyright and/or other intellectual property rights even if their legal trademarks are omitted in the later course of this document.

Brand Name	Trademark Owner
Adobe® Reader®	© Adobe Systems Incorporated, USA-San Jose, CA
BISS	© iC-Haus GmbH, DE-Bodenheim
CANopen® CiA®	© CiA CAN in Automation e.V, DE-Nuremberg
CLIK-Mate™ Micro-Fit™ Mini-Fit Jr.™ Mega-Fit®	© Molex, USA-Lisle, IL
EnDat	© DR. JOHANNES HEIDENHAIN GmbH, DE-Traunreut
EtherCAT®	© EtherCAT Technology Group, DE-Nuremberg, licensed by Beckhoff Automation GmbH, DE-Verl
har-flexicon®	© HARTING AG & Co. KG, DE-Espelkamp
Linux®	© Linus Torvalds (The Linux Foundation, USA-San Francisco CA)
Littelfuse® SMD NANO2®	© Littelfuse Inc., USA-Chicago, IL
Minimodul™	© Lumberg Holding GmbH & Co. KG, DE-Schalksmühle
Windows®	© Microsoft Corporation, USA-Redmond, WA

Table 1-3 Brand names and trademark owners

1.1.6 Copyright

This document is protected by copyright. Any further use (including reproduction, translation, microfilming, and other means of electronic data processing) without prior written approval is not permitted. The mentioned trademarks belong to their respective owners and are protected under intellectual property rights. © 2019 maxon. All rights reserved. Subject to change without prior notice.

CCMC | EPOS4 Module/Compact 24/1.5 Hardware Reference | Edition 2019-11 | DocID rel8549

maxon motor ag
Brünigstrasse 220 +41 41 666 15 00
CH-6072 Sachseln www.maxongroup.com

1.2 About the Devices

Capabilities of the device, included features, and supported motors.

maxon's EPOS4 Module 24/1.5 and EPOS4 Compact 24/1.5 are small-sized, full digital, smart positioning control units. Their high power density allow flexible use for brushed DC and brushless EC (BLDC) motors up to approximately 36 Watts with various feedback options, such as Hall sensors, incremental encoders as well as absolute sensors in a multitude of drive applications.

The devices are specially designed to be commanded and controlled as a slave node in a CANopen or EtherCAT network. In addition, the units can be operated via any USB or RS232 communication port of a Windows or Linux workstation (the Module thereby requires an external transceiver). Moreover, the integrated extension interface of the Module allows pooling with optionally available communication interfaces or other additional functionalities.

Latest technology, such as field-oriented control (FOC), acceleration/velocity feed forward, or dual loop, in combination with highest control cycle rates allow sophisticated, ease-of-use motion control.

Thanks to its smart design, the EPOS4 Module 24/1.5 can either be used in combination with EPOS4 CB 24/1.5 connector boards as a compact, integrated solution or be incorporated into customer-specific motherboards for single axis or multi axes motion control systems. The controller is available in the following configurations:

- **EPOS4 Module 24/1.5 (536630)**
Plug-in module for use with maxon EPOS4 connector boards or customer-specific motherboards
- **EPOS4 CB 24/1.5 CAN (536997)**
Connector board for initial commissioning or combination to a compact solution providing all connectors, including CANopen interface
- **EPOS4 CB 24/1.5 EtherCAT (620048)**
Connector board for initial commissioning or combination to a compact solution providing all connectors, including EtherCAT interface
- **EPOS4 Compact 24/1.5 CAN (546714)**
Fully integrated, compact, ready-to-use assembly of plug-in module and CANopen connector board
- **EPOS4 Compact 24/1.5 EtherCAT (628092)**
Fully integrated, compact, ready-to-use assembly of plug-in module and EtherCAT connector board

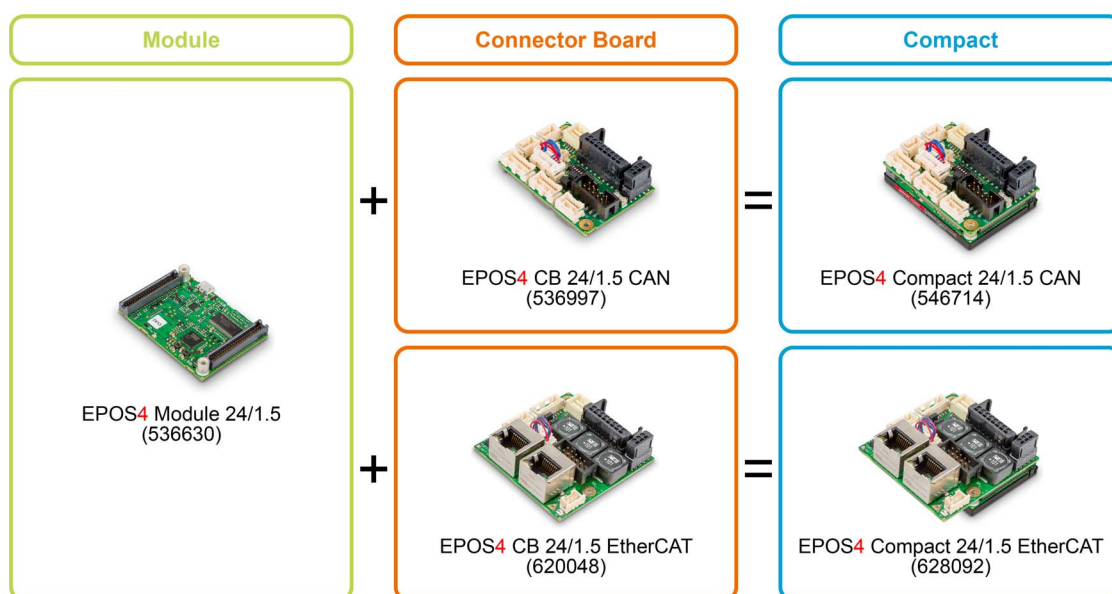


Figure 1-2 Configuration overview

For easier legibility, in the later course of this document naming of components will be as follows:

Short form	Meaning
CB	a connector board (EPOS4 CB 24/1.5 CAN, EPOS4 CB 24/1.5 EtherCAT)
Compact	any type of Compact 24/1.5 version
Compact CAN	EPOS4 Compact 24/1.5 CAN
Compact EtherCAT	EPOS4 Compact 24/1.5 EtherCAT
EPOS4	all controller versions (Module and Compact) as well as other EPOS4 positioning controllers as a whole
Module	EPOS4 Module 24/1.5

Table 1-4 Abbreviations



Find the latest edition of the present document as well as additional documentation and software for EPOS4 positioning controllers also on the Internet: →<http://epos.maxongroup.com>.

In addition, you may wish to browse the EPOS video library. It features video tutorials that provide easy to follow instructions on how to get started with «EPOS Studio» and shows you tips and tricks on how to setup communication interfaces, and so on. Explore on Vimeo: →<https://vimeo.com/album/4646388>

1.3 About the Safety Precautions

*Keep in mind:
Safety first!
Always!*

- Make sure that you have read and understood the note “READ THIS FIRST” on page A-2!
- Do not engage with any work unless you possess the stated skills (→ chapter “1.1.2 Target Audience” on page 1-5)!
- Refer to → chapter “1.1.4 Symbols & Signs” on page 1-6 to understand the subsequently used indicators!
- You must observe any regulation applicable in the country and/or at the site of implementation with regard to health and safety/accident prevention and/or environmental protection!



DANGER

High voltage and/or electrical shock

Touching live wires causes death or serious injuries!

- *Consider any power cable as connected to live power, unless having proven the opposite!*
- *Make sure that neither end of cable is connected to live power!*
- *Make sure that power source cannot be engaged while work is in process!*
- *Obey lock-out/tag-out procedures!*
- *Make sure to securely lock any power engaging equipment against unintentional engagement and tag it with your name!*



Requirements

- *Make sure that all associated devices and components are installed according to local regulations.*
- *Be aware that, by principle, an electronic apparatus can not be considered fail-safe. Therefore, you must make sure that any machine/apparatus has been fitted with independent monitoring and safety equipment. If the machine/apparatus should break down, if it is operated incorrectly, if the control unit breaks down or if the cables break or get disconnected, etc., the complete drive system must return – and be kept – in a safe operating mode.*
- *Be aware that you are not entitled to perform any repair on components supplied by maxon.*



Electrostatic sensitive device (ESD)

- *Wear working cloth and use equipment in compliance with ESD protective measures.*
- *Handle device with extra care.*

2 SPECIFICATIONS

2.1 Technical Data

EPOS4 Module 24/1.5 (536630) EPOS4 Compact 24/1.5 CAN (546714) EPOS4 Compact 24/1.5 EtherCAT (628092)			
Electrical Rating	Nominal power supply voltage +V _{CC}	10...24 VDC	
	Nominal logic supply voltage +V _C	Module	10...24 VDC
		Compact	10...24 VDC, optional
	Absolute supply voltage +V _{min} / +V _{max}	8 VDC / 28 VDC	
	Output voltage (max.)	0.9 x +V _{CC}	
	Output current I _{cont} / I _{max} (<30 s)	1.5 A / 4.5 A	
	Pulse Width Modulation frequency	100 kHz	
	Sampling rate PI current controller	25 kHz (40 μs)	
	Sampling rate PI speed controller	2.5 kHz (400 μs)	
	Sampling rate PID positioning controller	2.5 kHz (400 μs)	
	Max. efficiency	89% (→Figure 2-4)	
	Max. speed DC motor	limited by max. permissible speed (motor) and max. output voltage (controller)	
	Max. speed EC motor (block)	100'000 rpm (1 pole pair)	
	Max. speed EC motor (sinusoidal)	50'000 rpm (1 pole pair)	
Built-in motor choke	Module	—	
	Compact CAN	3 x 94 μH; 1.5 A	
	Compact EtherCAT	3 x 100 μH; 1.5 A	
Inputs & Outputs	Digital Input 1 (general purpose) Digital Input 2 (general purpose) Digital Input 3 (general purpose) Digital Input 4 (general purpose)	Module	+2.1...+36 VDC
		Compact	DIP switch-selectable levels: • Logic: +2.0...+30 VDC • PLC: +9.0...+30 VDC
	Digital Output 1 (general purpose) Digital Output 2 (general purpose)	max. 36 VDC / I _L ≤500 mA (open collector with internal pull-up)	
	STO Input 1 STO Input 2	+4.5...+30 VDC (optically isolated)	
	STO Output	max. 30 VDC / I _L ≤15 mA (optically isolated with self-resetting short-circuit protection)	
Analog Input 1 Analog Input 2	Resolution 12-bit, -10...+10 V, 10 kHz, differential		

Continued on next page.

EPOS4 Module 24/1.5 (536630) EPOS4 Compact 24/1.5 CAN (546714) EPOS4 Compact 24/1.5 EtherCAT (628092)				
Inputs & Outputs (continued)	Analog Output 1 Analog Output 2	Resolution 12-bit, -4...+4 V, 25 kHz, referenced to GND		
	Digital Hall sensor signals H1, H2, H3	+2.0...+24 VDC (internal pull-up)		
	Digital incremental encoder signals A, A\, B, B\, I, I\	EIA RS422, max. 6.25 MHz		
	Sensor signals (choice between multiple functions) <ul style="list-style-type: none"> Digital incremental encoder Analog incremental encoder SinCos SSI absolute encoder High-speed digital input 1...4 High-speed digital output 1 	3-channel, EIA RS422, max. 6.25 MHz 3-channel, resolution 12-bit, ±1.8 V, differential configurable, EIA RS422, 0.4...2 MHz EIA RS422, max. 6.25 MHz EIA RS422, max. 6.25 MHz		
Voltage Outputs	Sensor supply voltage V_{Sensor}	+5 VDC / $I_L \leq 100$ mA		
	Auxiliary output voltage V_{Aux}	+5 VDC / $I_L \leq 150$ mA		
Motor Connections	DC motor	+ Motor, - Motor		
	EC motor	Motor winding 1, Motor winding 2, Motor winding 3		
Interfaces		Module	Compact CAN	Compact EtherCAT
	USB 2.0 / USB 3.0	Full Speed	Full Speed	Full Speed
	RS232	max. 115'200 bit/s; external transceiver necessary	max. 115'200 bit/s	—
	CAN	max. 1 Mbit/s	max. 1 Mbit/s	—
	EtherCAT	Full duplex (100 Mbit/s) as to IEE 802.3 100 Base Tx; optional «EPOS4 EtherCAT Card» required	—	Full duplex (100 Mbit/s) as to IEE 802.3 100 Base Tx
Status Indicators		Module	Compact CAN	Compact EtherCAT
	Device status	Operation (green) Error (red)	Operation (green) Error (red)	Operation (green) Error (red)
	NET status	—	—	RUN state (green) Error (red)
	NET port	—	—	Link activity (green)

Continued on next page.

EPOS4 Module 24/1.5 (536630) EPOS4 Compact 24/1.5 CAN (546714) EPOS4 Compact 24/1.5 EtherCAT (628092)					
		Module	Compact CAN	Compact EtherCAT	
Physical	Weight	approx. 17 g	approx. 58 g	approx. 78 g	
	Dimensions (L x W x H)	53.8 x 38.8 x 11.1 mm	55.0 x 40.0 x 31.1 mm	56.5 x 55.0 x 31.7 mm	
	Mounting	pluggable female box headers 1.27 mm or mounting holes for M2.5 screws	mounting holes for M2.5 screws ⁽³⁾	mounting holes for M2.5 screws ⁽³⁾	
Environment	Temperature	Operation	Module	-30...+60 °C	
			Compact	-30...+45 °C	
		Extended range ⁽¹⁾	Module	+60...+73 °C Derating -0.115 A/°C (→Figure 2-3)	
			Compact	+45...+70 °C Derating -0.060 A/°C (→Figure 2-3)	
	Storage	-40...+85 °C			
	Altitude ⁽²⁾	Operation	0...6'000 m MSL		
		Extended range ⁽¹⁾	6'000...10'000 m MSL Derating →Figure 2-3		
Humidity	5...90% (condensation not permitted)				

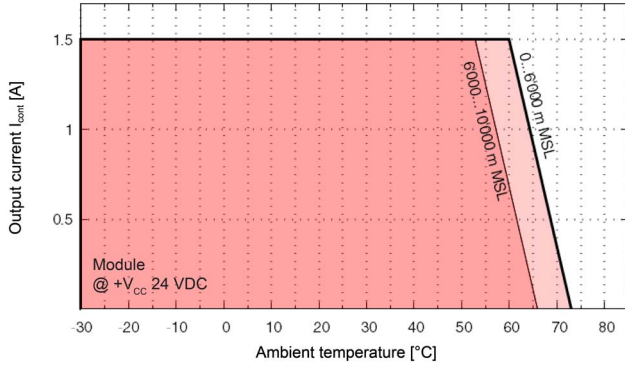
- (1) Operation within the extended range (temperature and altitude) is permitted. However, a respective derating (declination of output current I_{cont}) as to the stated values will apply.
- (2) Operating altitude in meters above Mean Sea Level, MSL.
- (3) Max. tightening torque 0.16 Nm.

Table 2-5 Technical data

2.2 Thermal Data

2.2.1 Derating of Output Current

Module



Compact

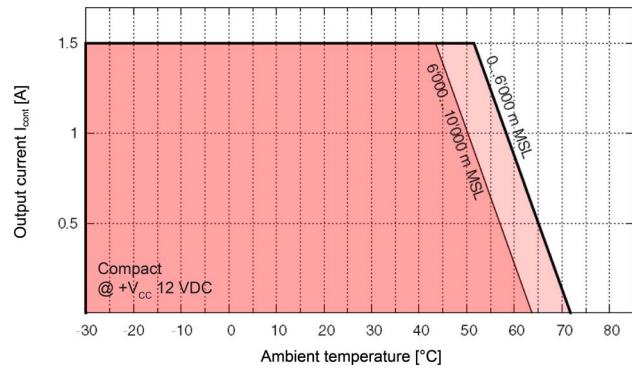
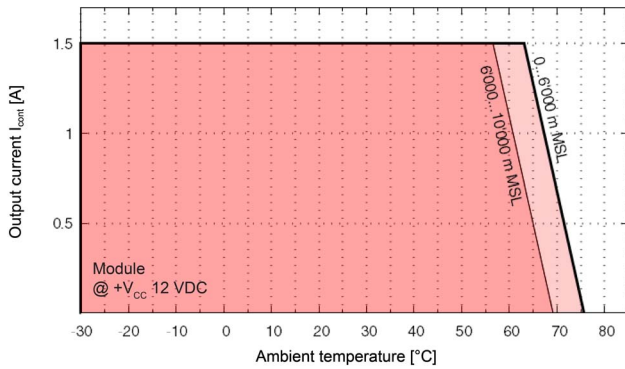
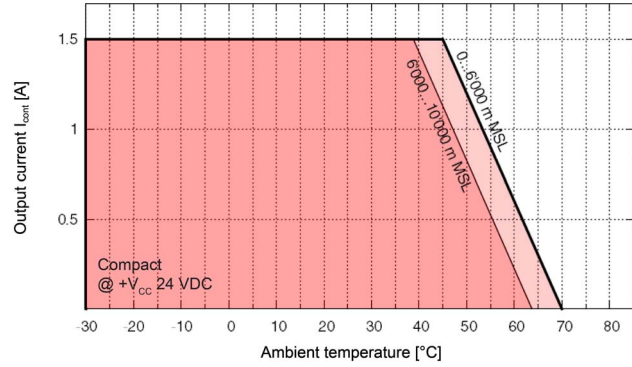


Figure 2-3 Derating of output current

2.2.2 Power Dissipation and Efficiency

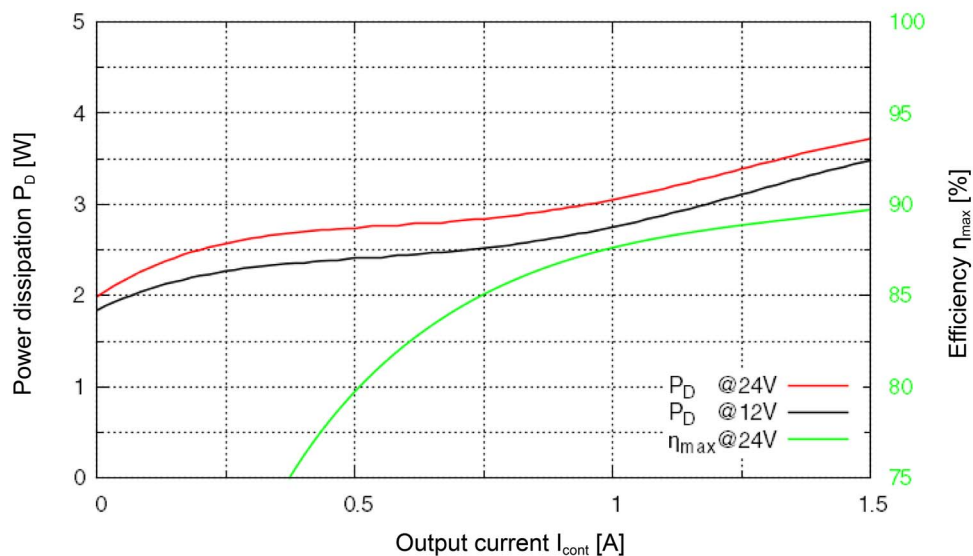


Figure 2-4 Power dissipation and efficiency – EPOS4 Compact 24/1.5 CAN

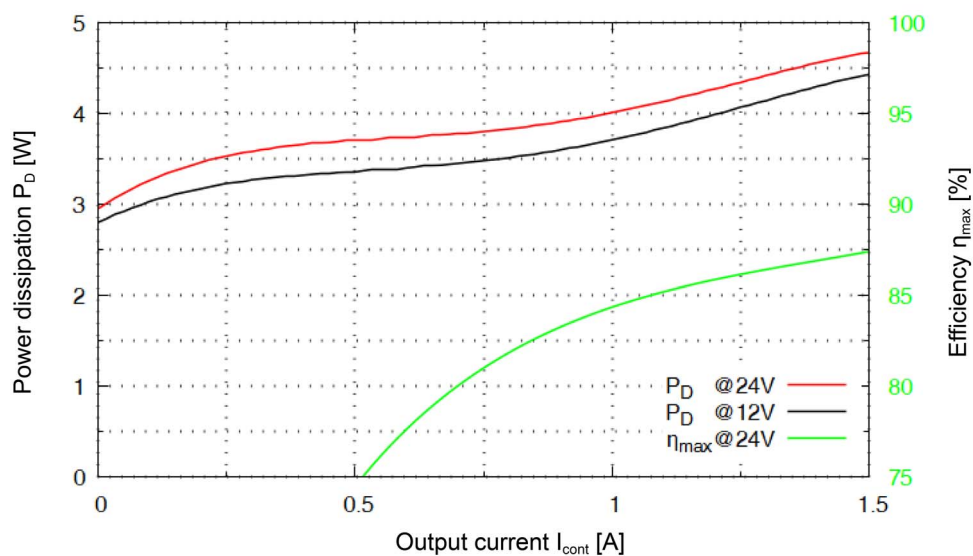


Figure 2-5 Power dissipation and efficiency – EPOS4 Compact 24/1.5 EtherCAT

2.3 Limitations

Protection functionality	Switch-off threshold	Recovery threshold
Undervoltage	8.0 V	8.5 V
Overvoltage	28 V	27.5 V
Overcurrent	6 A	—
Thermal overload	100 °C	90 °C

Table 2-6 Limitations

2.4 Dimensional Drawings

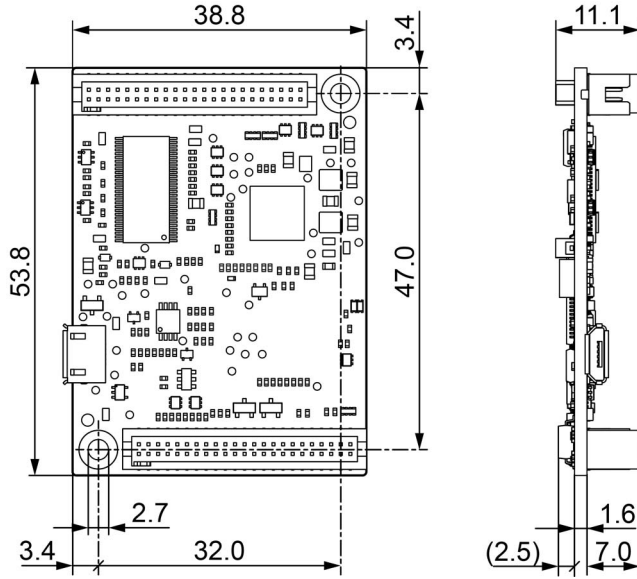


Figure 2-6 EPOS4 Module 24/1.5 – Dimensional drawing [mm]

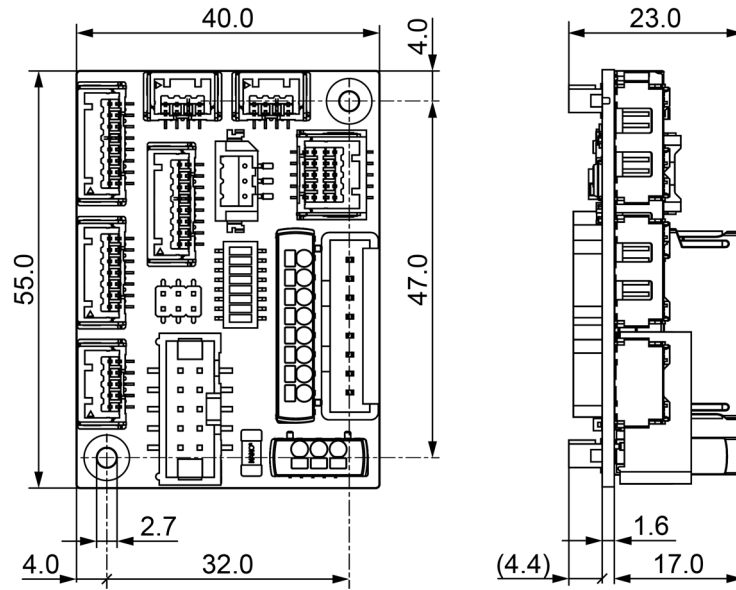


Figure 2-7 EPOS4 CB 24/1.5 CAN – Dimensional drawing [mm]

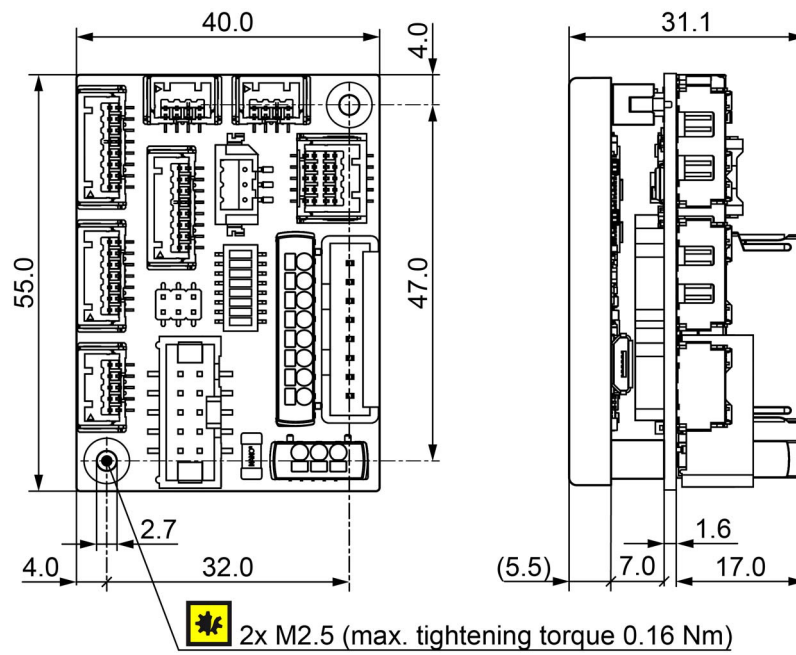


Figure 2-8 EPOS4 Compact 24/1.5 CAN – Dimensional drawing [mm]

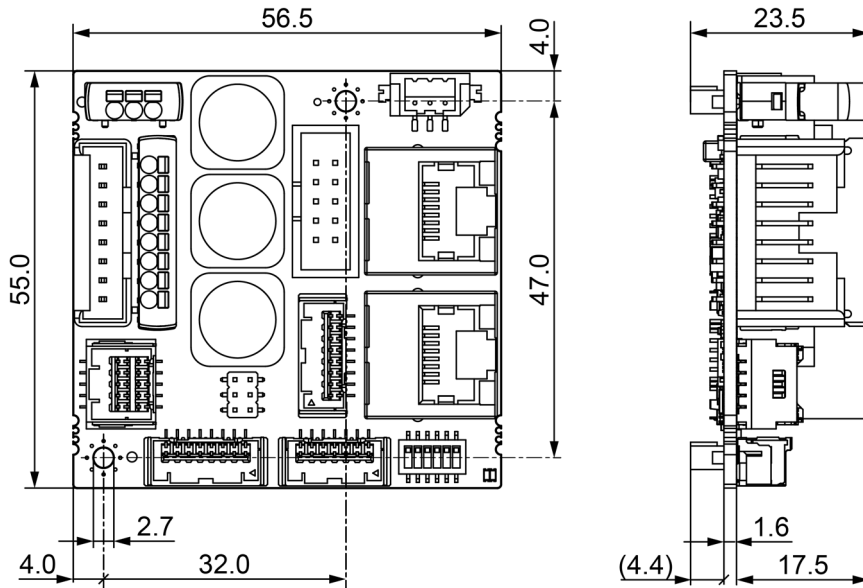


Figure 2-9 EPOS4 CB 24/1.5 EtherCAT – Dimensional drawing [mm]

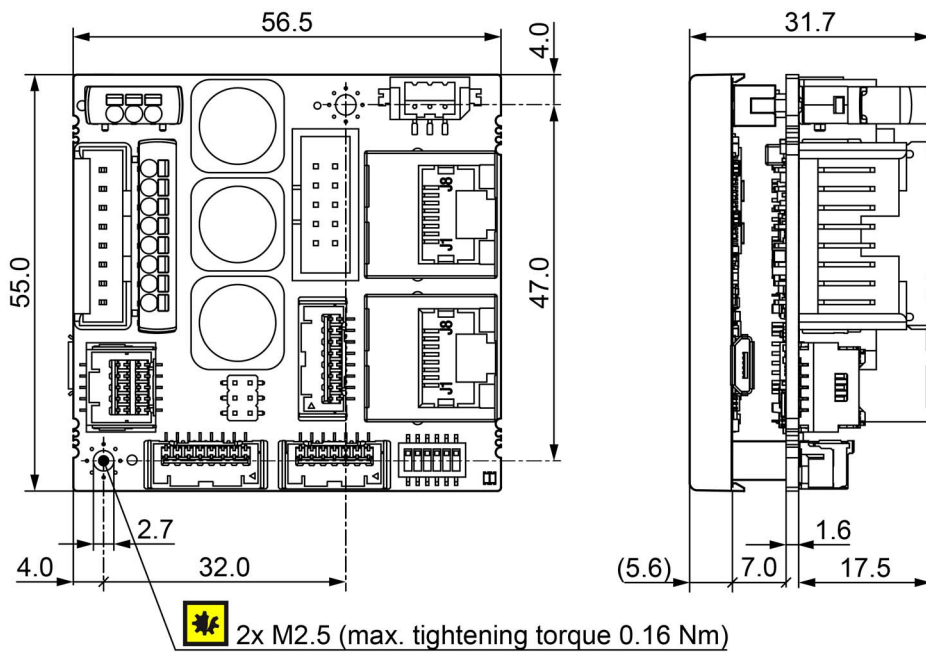


Figure 2-10 EPOS4 Compact 24/1.5 EtherCAT – Dimensional drawing [mm]

2.5 Standards

The described device has been successfully tested for compliance with the below listed standards. In practical terms, only the complete system (the fully operational equipment comprising all individual components, such as motor, servo controller, power supply unit, EMC filter, cabling etc.) can undergo an EMC test to ensure interference-free operation.



Important Notice

The device's compliance with the mentioned standards does not imply its compliance within the final, ready to operate setup. In order to achieve compliance of your operational system, you must perform EMC testing of the involved equipment as a whole.

Electromagnetic Compatibility		
Generic	IEC/EN 61000-6-2	Immunity for industrial environments
	IEC/EN 61000-6-3	Emission standard for residential, commercial and light-industrial environments
Applied	IEC/EN 55022 (CISPR22)	Radio disturbance characteristics / radio interference
	IEC/EN 61000-4-3	Radiated, radio-frequency, electromagnetic field immunity test >10 V/m
	IEC/EN 61000-4-4	Electrical fast transient/burst immunity test ±2 kV
	IEC/EN 61000-4-6	Immunity to conducted disturbances, induced by radio-frequency fields 10 Vrms
Others		
Environment	IEC/EN 60068-2-6	Environmental testing – Test Fc: Vibration (sinusoidal, 10...500 Hz, 20 m/s ²)
	MIL-STD-810F	Random transport (10...500 Hz up to 2.53 g _{rms})
Safety	UL File Number	Unassembled printed circuit board <ul style="list-style-type: none"> • Module: E207844 • Compact CAN: E207844 • Compact EtherCAT: E207844
Reliability	MIL-HDBK-217F	Reliability prediction of electronic equipment Environment: Ground, benign (GB) Ambient temperature: 298 K (25 °C) Component stress: In accordance with circuit diagram and nominal power Mean Time Between Failures (MTBF) <ul style="list-style-type: none"> • Module: 611'610 hours • Compact CAN: 326'977 hours • Compact EtherCAT: 279'388 hours

Table 2-7 Standards

••page intentionally left blank••

3 SETUP

IMPORTANT NOTICE: PREREQUISITES FOR PERMISSION TO COMMENCE INSTALLATION

EPOS4 Module 24/1.5 and EPOS4 Compact 24/1.5 positioning controllers are considered as partly completed machinery according to EU Directive 2006/42/EC, Article 2, Clause (g) and **are intended to be incorporated into or assembled with other machinery or other partly completed machinery or equipment.**



WARNING

Risk of injury

Operating the device without the full compliance of the surrounding system with the EU Directive 2006/42/EC may cause serious injuries!

- Do not operate the device, unless you have made completely sure that the other machinery fully complies with the EU directive's requirements!
- Do not operate the device, unless the other machinery fulfills all relevant health and safety aspects!
- Do not operate the device, unless all respective interfaces have been established and fulfill the requirements stated in this document!

3.1 Generally applicable Rules



Maximal permitted supply voltage

- Make sure that supply power is between 10...24 VDC.
- Supply voltages above 28 VDC, or wrong polarity will destroy the unit.
- Note that the necessary output current is depending on the load torque. Yet, the output current limits are as follows:
 - continuous max. 1.5 A
 - short-time (acceleration) max. 4.5 A



Hot plugging the USB interface may cause hardware damage

If the USB interface is being hot-plugged (connecting while the power supply is on), the possibly high potential differences of the two power supplies of controller and PC/Notebook can lead to damaged hardware.

- Avoid potential differences between the power supply of controller and PC/Notebook or, if possible, balance them.
- Insert the USB connector first, then switch on the power supply of the controller.

3.2 Pin Assignment for Module Version

For in-depth details on connections → chapter “3.4 Connection Specifications” on page 3-50.

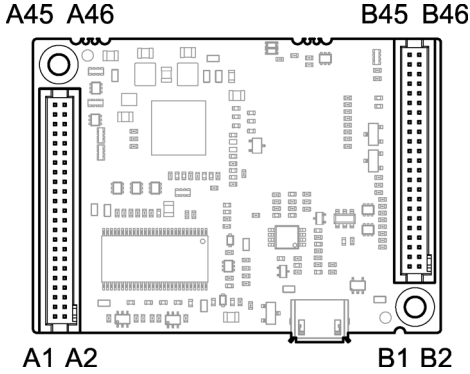


Figure 3-11 Pin assignment

Pin	Signal	Description
A1...A7**	Motor (+M)	DC motor: Motor +
	Motor winding 1	EC motor: Winding 1
A8...A14**	Motor (-M)	DC motor: Motor -
	Motor winding 2	EC motor: Winding 2
A15...A21**	Motor winding 3	EC motor: Winding 3
A22	+V _C	Logic supply voltage (+10...+24 VDC)
A23...A29**	+V _{CC}	Power supply voltage (+10...+24 VDC)
A30...A36**	GND	Ground
A37	Hall sensor 1	Hall sensor 1 input
A38	Hall sensor 2	Hall sensor 2 input
A39	Hall sensor 3	Hall sensor 3 input
A40	V _{Sensor}	Sensor supply voltage (+5 VDC; I _L ≤ 100 mA)
A41	Channel A	Digital incremental encoder channel A
A42	Channel A\	Digital incremental encoder channel A complement
A43	Channel B	Digital incremental encoder channel B
A44	Channel B\	Digital incremental encoder channel B complement
A45	Channel I	Digital incremental encoder channel I
A46	Channel I\	Digital incremental encoder channel I complement

** Connect all pins in respect to the individual pin current rating.

Table 3-8 Pin assignment A1...A46 (X1...X5)

Pin	Signal	Description
B1	DigIN1	Digital input 1
B2	DigIN2	Digital input 2
B3	DigIN3	Digital input 3
B4	DigIN4	Digital input 4
B5	DigOUT1	Digital output 1
B6	DigOUT2	Digital output 2
B7	Channel A	Digital/analog incremental encoder channel A
	HsDigIN1	High-speed digital input 1
B8	Channel A\	Digital/analog incremental encoder channel A complement
	HsDigIN1\	High-speed digital input 1 complement
B9	Channel B	Digital/analog incremental encoder channel B
	HsDigIN2	High-speed digital input 2
B10	Channel B\	Digital/analog incremental encoder channel B complement
	HsDigIN2\	High-speed digital input 2 complement
B11	Channel I	Digital/analog incremental encoder channel I
	HsDigIN3	High-speed digital input 3
	Clock	Clock (SSI)
	HsDigOUT1	High-speed digital output 1
B12	Channel I\	Digital/analog incremental encoder channel I complement
	HsDigIN3\	High-speed digital input 3 complement
	Clock\	Clock (SSI) complement
	HsDigOUT1\	High-speed digital output 1 complement
B13	Data	Data (SSI)
	HsDigIN4	High-speed digital input 4
B14	Data\	Data (SSI) complement
	HsDigIN4\	High-speed digital input 4 complement
B15	V _{Aux}	Auxiliary output voltage (+5 VDC; I _L ≤150 mA)
B16	GND	Ground
B17	STO-IN1+	Safe Torque Off input 1, positive signal
B18	STO-IN1-	Safe Torque Off input 1, negative signal
B19	STO-IN2+	Safe Torque Off input 2, positive signal
B20	STO-IN2-	Safe Torque Off input 2, negative signal
B21	STO-OUT+	Safe Torque Off output, positive signal
B22	STO-OUT-	Safe Torque Off output, negative signal
B23	AnIN1+	Analog input 1, positive signal
B24	AnIN1-	Analog input 1, negative signal
B25	AnIN2+	Analog input 2, positive signal
B26	AnIN2-	Analog input 2, negative signal
B27	AnOUT1	Analog output 1
B28	AnOUT2	Analog output 2
B29	ID 1	CAN ID / DEV ID 1 (valence = 1)
B30	ID 2	CAN ID / DEV ID 2 (valence = 2)

Continued on next page.

Pin	Signal	Description
B31	ID 3	CAN ID / DEV ID 3 (valence = 4)
B32	ID 4	CAN ID / DEV ID 4 (valence = 8)
B33	ID 5	CAN ID / DEV ID 5 (valence = 16)
B34	Auto bit rate	Automatic bit rate detection of CAN bus
B35	CAN high	CAN high bus line
B36	CAN low	CAN low bus line
B37...B38	GND	Ground
B39 ⁽⁴⁾	DSP_RxD	Serial communication interface receive (UART)
B40	DSP_TxD	Serial communication interface transmit (UART)
B41 ⁽⁵⁾	SPI_CLK	Serial Peripheral Interface clock
B42 ⁽⁵⁾	SPI_IRQ	Serial Peripheral Interface interrupt request
B43 ⁽⁵⁾	SPI_SOMI	Serial Peripheral Interface Slave output, Master input
B44 ⁽⁵⁾	SPI_SIMO	Serial Peripheral Interface Slave input, Master output
B45 ⁽⁵⁾	SPI_CS2	Serial Peripheral Interface chip select 2
B46 ⁽⁵⁾	SPI_CS1	Serial Peripheral Interface chip select 1
(4)	connect to sensor supply voltage V_{Sensor} (A40) when RS232 is not in use	
(5)	only used for maxon extension modules	

Table 3-9 Pin assignment B1...B46 (X6...X12)

3.3 Pin Assignment for Connector Boards & Compact Versions

As an alternative to developing an own motherboard, ready-made connector boards are available to combine the Module to Compact versions. They comprise all required connections.

For in-depth details on connections → chapter “3.4 Connection Specifications” on page 3-50.

3.3.1 EPOS4 CB 24/1.5 CAN (536997) / EPOS4 Compact 24/1.5 CAN (546714)

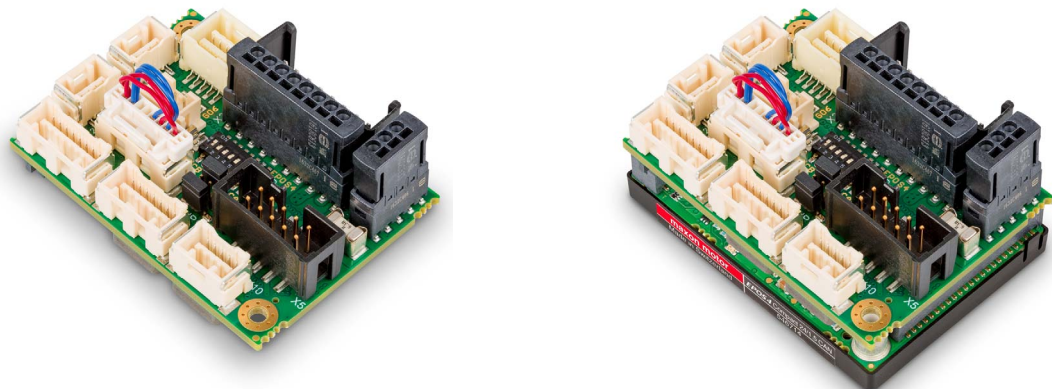


Figure 3-12 EPOS4 CB 24/1.5 CAN (left) / EPOS4 Compact 24/1.5 CAN (right)

3.3.2 EPOS4 CB 24/1.5 EtherCAT (620048) / EPOS4 Compact 24/1.5 EtherCAT (628092)

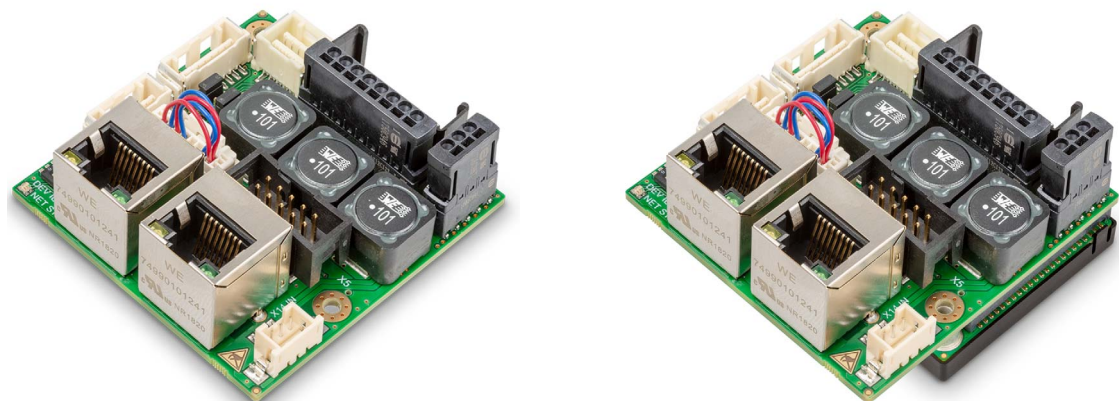


Figure 3-13 EPOS4 CB 24/1.5 EtherCAT (left) / EPOS4 Compact 24/1.5 EtherCAT (right)

3.3.3 Cabling

PLUG&PLAY

Take advantage of maxon's prefab cable assemblies and adapters. They come as ready-to-use parts and will help to reduce commissioning time to a minimum.

- a) Check the following table and find the part number of the cable assembly or adapter that matches the setup you will be using.
- b) Follow the cross-reference to get the cable's pin assignment.

Connector		Prefab Cable Assembly & Adapter		
Compact CAN	Compact EtherCAT	Designation	Part Number	→Page
X3b/X4b		Adapter BLACK FPC11poles	418719	3-44
		Adapter BLUE FPC8poles	418723	3-45
		Adapter GREEN FPC8poles	418721	3-45
X5		Encoder Cable	275934	3-34
X6		Sensor Cable 5x2core	520852	3-36
X7		Signal Cable 8core	520853	3-37
X8		Signal Cable 7core	520854	3-38
X9		Signal Cable 8core	520853	3-37
X10	—	RS232-COM Cable	520856	3-40
X11	—	CAN-COM Cable	520857	3-41
		CAN-CAN Cable	520858	3-41
X12	—	CAN-COM Cable	520857	3-41
		CAN-CAN Cable	520858	3-41
X13		USB Type A - micro B Cable (located at the Module)	403968	3-82
—	X14	Ethernet Cable	422827	3-43
—	X15	Ethernet Cable	422827	3-43

Table 3-10 Prefab maxon cables

MAKE&BAKE YOUR OWN

If you decide not to employ maxon's prefab cable assemblies, you might wish to use the prepackaged kit that contains all connectors required to make up your own cabling.

EPOS4 Connector Set (520859)		
Connector	Specification	Quantity
Connectors		
—	Molex Mega-Fit, 2 poles (171692-0102)	1
—	Molex Mini-Fit Jr., 2 poles (39-01-2020)	2
—	Molex Mini-Fit Jr., 4 poles (39-01-2040)	1
—	Molex Mega-Fit, 4 poles (171692-0104)	1
—	Molex Micro-Fit 3.0, 6 poles (430-25-0600)	1
X6	Molex CLIK-Mate, dual row, 10 poles (503149-1000)	1
X7 / X9	Molex CLIK-Mate, single row, 8 poles (502578-0800)	2
X8	Molex CLIK-Mate, single row, 7 poles (502578-0700)	1
X10	Molex CLIK-Mate, single row, 5 poles (502578-0500)	1
X11 / X12	Molex CLIK-Mate, single row, 4 poles (502578-0400)	2
Crimp Terminals		
—	Molex Mega-Fit, female crimp terminal (172063-0311)	7
—	Molex Mini-Fit Jr. female crimp terminal (45750-1111)	9
—	Molex Micro-Fit 3.0 female crimp terminal (43030-0010)	7
X6...X12	Molex CLIK-Mate crimp terminal (502579-0100)	44
Accessories		
X5	3M Retainer Clip with strain relief, height 13.5 mm (3505-8110)	1

Table 3-11 EPOS4 Connector Set – Content

3.3.4 Tools

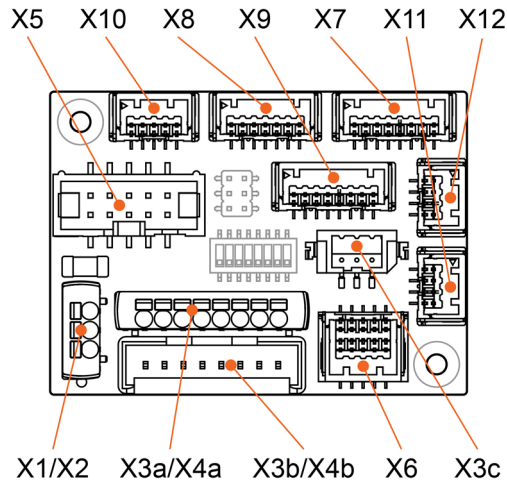
Tool	Manufacturer	Part Number
Hand crimper for 3111 crimp contacts	Lumberg	CZ31
Hand crimper for CLIK-Mate crimp terminals	Molex	63819-4600
Hand crimper for DF3 crimp contacts	Hirose	DF3-TA22HC

Table 3-12 Recommended tools

3.3.5 Connections

The USB interface (X13) is located at the Module.

EPOS4 CB 24/1.5 CAN



X1/X2 Power & Logic Supply →page 3-29

X3a/X4a Motor & Hall Sensors →page 3-30

X3b/X4b Motor & Hall Sensors →page 3-30

X3c DC Motor →page 3-32

X5 Encoder →page 3-33

X6 Sensor →page 3-35

X7 Digital I/O →page 3-37

X8 Analog I/O →page 3-38

X9 STO →page 3-39

X10 RS232 →page 3-40

X11 CAN 1 →page 3-41

X12 CAN 2 →page 3-41

X14 EtherCAT IN →page 3-42

X15 EtherCAT OUT →page 3-42

EPOS4 CB 24/1.5 EtherCAT

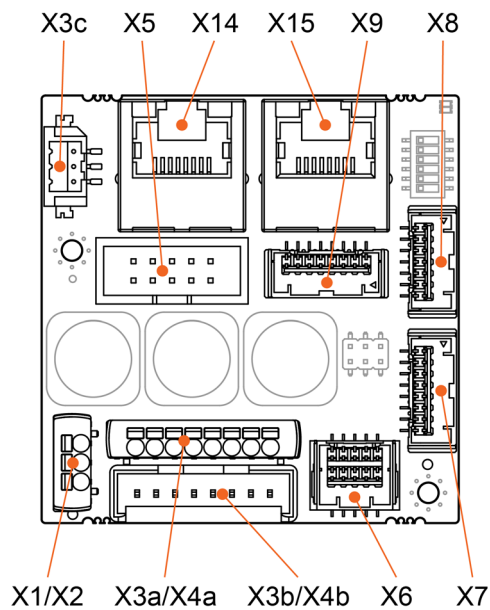


Figure 3-14 Connector Boards – Connectors



How to read pin assignment tables

- The first column describes both the pin number of the connector and of the matching prefab maxon cable's Head A.
- The second column describes the cable core color of the prefab maxon cable.
- The third column describes the pin number of the prefab maxon cable's Head B.

3.3.5.1 Power & Logic Supply (X1/X2)



Best practice

Keep the motor mechanically disconnected during the setup and adjustment phase.

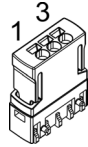


Figure 3-15 Power & logic supply connector X1/X2

X1/X2 Head A Pin	Prefab Cable Color	Head B Pin	Signal	Description
1		-	GND	Ground
2		+	+V _{CC}	Power supply voltage (+10...+24 VDC)
3		+	+V _C	Logic supply voltage (+10...+24 VDC)

Table 3-13 Power & logic supply connector X1/X2 – Pin assignment

Power & Logic Supply Connector X1/X2 (590736)		
Type	Spring-loaded contacts, 3 poles, pitch 2.54 mm	
Suitable plug	Harting har-flexicon 2.54 FPV-3 BK (14 31 031 3101 000) —included with every Compact version delivery—	
Suitable cables	Rigid	0.14...0.5 mm ² , AWG 26-20 / wire stripping length 6 mm
	Flexible	0.2...0.5 mm ² , AWG 24-20 / wire stripping length 6 mm 0.25...0.34 mm ² , AWG 24-22 / wire stripping length 6 mm, wire end sleeves
Suitable tools	Miniature screwdriver, size "00"	

Table 3-14 Power & logic supply connector X1/X2 – Specification and accessories

3.3.5.2 Motor & Hall Sensors (X3a/X4a) (X3b/X4b)

The controller is set to drive either maxon EC motor (BLDC, brushless DC motor) or maxon DC motor (brushed DC motor) with separated motor/encoder cable.

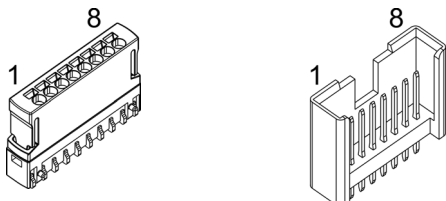


Figure 3-16 Motor & Hall sensors connectors X3a/X4a (left) and X3b/X4b (right)

X3a/X4a X3b/X4b Head A Pin	Prefab Cable Color	Head B Pin	Signal	Description
1			Motor (+M)	DC motor: Motor +
2			Motor (-M)	DC motor: Motor -
3			-	not connected
4			-	not connected
5			-	not connected
6			-	not connected
7			-	not connected
8			-	not connected

Table 3-15 Motor & Hall sensors connectors X3a/X4a / X3b/X4b – Pin assignment for maxon DC motor

X3a/X4a X3b/X4b Head A Pin	Prefab Cable Color	Head B Pin	Signal	Description
1			Motor winding 1	EC motor: Winding 1
2			Motor winding 2	EC motor: Winding 2
3			Motor winding 3	EC motor: Winding 3
4			V_{Sensor}	Sensor supply voltage (+5 VDC; $I_L \leq 100$ mA) External power supply for MR encoder
5			GND	Ground
6			Hall sensor 1	Hall sensor 1 input
7			Hall sensor 2	Hall sensor 2 input
8			Hall sensor 3	Hall sensor 3 input

Table 3-16 Motor & Hall sensors connectors X3a/X4a / X3b/X4b – Pin assignment for maxon EC motor

Continued on next page.

Motor & Hall Sensors Connector X3a/X4a (590737)		
Type	Spring-loaded contacts, 8 poles, pitch 2.54 mm	
Suitable plug	Harting har-flexicon 2.54 FPV-8 BK (14 31 081 3101 000) —included with every Compact version delivery—	
Suitable cables	Rigid	0.14...0.5 mm ² , AWG 26-20 / wire stripping length 6 mm
	Flexible	0.2...0.5 mm ² , AWG 24-20 / wire stripping length 6 mm 0.25...0.34 mm ² , AWG 24-22 / wire stripping length 6 mm, wire end sleeves
Suitable tools	Miniature screwdriver, size "00"	

Table 3-17 Motor & Hall sensors connector X3a/X4a – Specification and accessories

Motor & Hall Sensors Connector X3b/X4b		
Type	Mini module pin header, upright, single row, 8 poles, pitch 2.5 mm	
Suitable plug	Lumberg crimping socket, 8 poles (3114 08)	
Suitable contacts	Lumberg crimp contact for socket (3111 01) 0.10...0.25 mm ² AWG 27-23 Lumberg crimp contact for socket (3111 03) 0.30...0.60 mm ² AWG 22-19	
Suitable tools	Lumberg hand crimper (CZ31)	

Table 3-18 Motor & Hall sensors connector X3b/X4b – Specification and accessories

3.3.5.3 DC Motor (X3c)

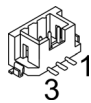


Figure 3-17 Motor connector X3c

X3c Head A Pin	Prefab Cable Color	Head B Pin	Signal	Description
1			Motor (+M)	DC motor: Motor +
2			Motor (-M)	DC motor: Motor -
3			-	not connected

Table 3-19 Motor connector X3c – Pin assignment

Specification / Accessories	
Type	Connector for discrete wire connection, pitch 2 mm
Suitable plug	Hirose crimping socket, 3 poles (DF3-3S-2C)
Suitable contacts	Hirose crimp contact for socket (DF3-22SC...)
Suitable tools	Hirose hand crimper (DF3-TA22HC)

Table 3-20 Motor connector X3c – Specification and accessories

3.3.5.4 Encoder (X5)



Connection of DC motor with integrated motor/encoder ribbon cable

If you are using a maxon DC motor with integrated motor/encoder ribbon cable, you will need to set the jumper JP1 accordingly in order to activate that option (→chapter “3.3.8 Jumper Configuration (JP1)” on page 3-49).

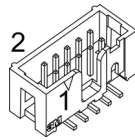


Figure 3-18 Encoder connector X5

X5 Head A Pin	Prefab Cable Color	Head B Pin	Signal	Description
1	brown	1	–	not connected (factory setting)
			Motor (+M)	DC: Motor + (→note below)
2	white	2	V _{Sensor}	Sensor supply voltage (+5 VDC; I _L ≤100 mA)
3	red	3	GND	Ground
4	white	4	–	not connected (factory setting)
			Motor (–M)	DC: Motor – (→note below)
5	orange	5	Channel A\	Channel A complement
6	white	6	Channel A	Channel A
7	yellow	7	Channel B\	Channel B complement
8	white	8	Channel B	Channel B
9	green	9	Channel I\	Channel I complement
10	white	10	Channel I	Channel I

Table 3-21 Encoder connector X5 – Pin assignment



Note

With the default factory setting, pins 1 (+M) and 4 (–M) are not connected.

In order to connect a DC motor as to the above table, you will need to change the factory setting and set the jumper JP1 to “ON” (→chapter “3.3.8 Jumper Configuration (JP1)” on page 3-49). To avoid any risk of damage, make sure that you use this setting option only for respective motors.

Accessories		
Suitable strain relief	Retainer	For sockets with strain relief: 1 retainer clip, height 13.5 mm, 3M (3505-8110)
		For sockets without strain relief: 1 retainer clip, height 7.9 mm, 3M (3505-8010)
	Latch	For sockets with strain relief: 2 pieces, 3M (3505-33B)

Table 3-22 Encoder connector X5 – Accessories

Continued on next page.

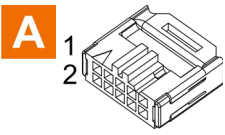
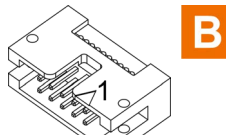
Encoder Cable (275934)	
A	B
	
Cross-section	10 x AWG28, round-jacket, twisted pair flat cable, pitch 1.27 mm, grey
Length	3.2 m
Head A	DIN 41651 female, pitch 2.54 mm, 10 poles, with strain relief
Head B	DIN 41651 plug, pitch 2.54 mm, 10 poles, with strain relief

Table 3-23 Encoder Cable

3.3.5.5 Sensor (X6)

Additional sensors, both incremental and serial encoders, can be connected.

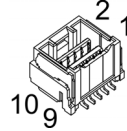


Figure 3-19 Sensor connector X6

X6 Head A Pin	Prefab Cable Color	Head B Pin	Signal	Description
1	white	1	Channel A	Digital/analog incremental encoder channel A
			HsDigIN1	High-speed digital input 1
2	brown	2	Channel A\	Digital/analog incremental encoder channel A complement
			HsDigIN1\	High-speed digital input 1 complement
3	green	3	Channel B	Digital/analog incremental encoder channel B
			HsDigIN2	High-speed digital input 2
4	yellow	4	Channel B\	Digital/analog incremental encoder channel B complement
			HsDigIN2\	High-speed digital input 2 complement
5	grey	5	Channel I	Digital/analog incremental encoder channel I
			HsDigIN3	High-speed digital input 3
			Clock	Clock (SSI)
			HsDigOUT1	High-speed digital output 1
6	pink	6	Channel I\	Digital/analog incremental encoder channel I complement
			HsDigIN3\	High-speed digital input 3 complement
			Clock\	Clock (SSI) complement
			HsDigOUT1\	High-speed digital output 1 complement
7	blue	7	Data	Data (SSI)
			HsDigIN4	High-speed digital input 4
8	red	8	Data\	Data (SSI) complement
			HsDigIN4\	High-speed digital input 4 complement
9	black	9	GND	Ground
10	violet	10	V _{Aux}	Auxiliary output voltage (+5 VDC; I _L ≤ 150 mA)

Table 3-24 Sensor connector X6 – Pin assignment

Continued on next page.

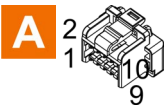
Sensor Cable 5x2core (520852)		
		
Cross-section	5 x 2 x 0.14 mm ² , twisted pair, grey	
Length	3 m	
Head A	Plug	Molex CLIK-Mate, dual row, 10 poles (503149-1000)
	Contacts	Molex CLIK-Mate crimp terminals (502579)
Head B	Wire end sleeves 0.14 mm ²	

Table 3-25 Sensor Cable 5x2core

3.3.5.6 Digital I/O (X7)

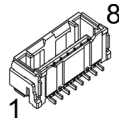


Figure 3-20 Digital I/O connector X7

X7 Head A Pin	Prefab Cable Color	Head B Pin	Signal	Description
1	white	1	DigIN1	Digital input 1
2	brown	2	DigIN2	Digital input 2
3	green	3	DigIN3	Digital input 3
4	yellow	4	DigIN4	Digital input 4
5	grey	5	DigOUT1	Digital output 1
6	pink	6	DigOUT2	Digital output 2
7	blue	7	GND	Ground
8	red	8	V _{Aux}	Auxiliary output voltage (+5 VDC; I _L ≤150 mA)

Table 3-26 Digital I/O connector X7 – Pin assignment

Signal Cable 8core (520853)		
Cross-section	8 x 0.14 mm ² , grey	
Length	3 m	
Head A	Plug	Molex CLIK-Mate, single row, 8 poles (502578-0800)
	Contacts	Molex CLIK-Mate crimp terminals (502579)
Head B	Wire end sleeves 0.14 mm ²	

Table 3-27 Signal Cable 8core

3.3.5.7 Analog I/O (X8)

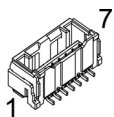


Figure 3-21 Analog I/O connector X8

X8 Head A Pin	Prefab Cable Color	Head B Pin	Signal	Description
1	white	1	AnIN1+	Analog input 1, positive signal
2	brown	2	AnIN1-	Analog input 1, negative signal
3	green	3	AnIN2+	Analog input 2, positive signal
4	yellow	4	AnIN2-	Analog input 2, negative signal
5	grey	5	AnOUT1	Analog output 1
6	pink	6	AnOUT2	Analog output 2
7	blue	7	GND	Ground

Table 3-28 Analog I/O connector X8 – Pin assignment

Signal Cable 7core (520854)		
Cross-section	7 x 0.14 mm ² , grey	
Length	3 m	
Head A	Plug	Molex CLIK-Mate, single row, 7 poles (502578-0700)
	Contacts	Molex CLIK-Mate crimp terminals (502579)
Head B	Wire end sleeves 0.14 mm ²	

Table 3-29 Signal Cable 7core

3.3.5.8 STO (X9)

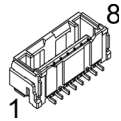


Figure 3-22 STO connector X9



Activation of power stage

In order to activate the power stage, either **both** STO inputs must be powered or the «STO Idle Connector» (→Table 3-31; included with every Compact version delivery) must be plugged.

X9 Head A Pin	Prefab Cable Color	Head B Pin	Signal	Description
1	white	1	STO-IN1+	Safe Torque Off input 1, positive signal
2	brown	2	STO-IN1-	Safe Torque Off input 1, negative signal
3	green	3	STO-IN2+	Safe Torque Off input 2, positive signal
4	yellow	4	STO-IN2-	Safe Torque Off input 2, negative signal
5	grey	5	STO-OUT+	Safe Torque Off output, positive signal
6	pink	6	STO-OUT-	Safe Torque Off output, negative signal
7	blue	7	GND	Ground
8	red	8	V_{STO}	Activation voltage for STO inputs (+5 VDC) Note: Do not use this voltage for any other purpose

Table 3-30 STO connector X9 – Pin assignment

For the matching prefab cable assembly →Table 3-27 on page 3-37.

STO Idle Connector (520860) —included with every Compact version delivery—	
Plug	Molex CLIK-Mate, single row, 8 poles (502578-0800) with cable bridges

Table 3-31 STO Idle Connector

3.3.5.9 RS232 (X10)

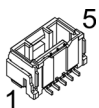


Figure 3-23 RS232 connector X10

X10 Head A Pin	Prefab Cable Color	Head B Pin	Signal	Description
1	white	3	EPOS_RxD	EPOS RS232 receive
2	brown	5	GND	Ground
3	green	2	EPOS_TxD	EPOS RS232 transmit
4	yellow	5	GND	Ground
5	Shield	Housing	Shield	Cable shield

Table 3-32 RS232 connector X10 – Pin assignment

RS232-COM Cable (520856)		
<p>A</p>	<p>B</p>	
Cross-section	2 x 2 x 0.14 mm ² , twisted pair, shielded	
Length	3 m	
Head A	Plug	Molex CLIK-Mate, single row, 5 poles (502578-0500)
	Contacts	Molex CLIK-Mate crimp terminals (502579)
Head B	Female D-Sub connector DIN 41652, 9 poles, with mounting screws	

Table 3-33 RS232-COM Cable

3.3.5.10 CAN 1 (X11) & CAN 2 (X12)



Figure 3-24 CAN 1 connector X11/CAN 2 connector X12

X11/X12 Head A Pin	Prefab Cable Color	520857 Head B Pin	520858 Head B Pin	Signal	Description
1	white	7	1	CAN high	CAN high bus line
2	brown	2	2	CAN low	CAN low bus line
3	green	3	3	GND	Ground
4	Shield	5	4	Shield	Cable shield

Table 3-34 CAN 1 connector X11/CAN 2 connector X12 – Pin assignment

CAN-COM Cable (520857)		
Cross-section	2 x 2 x 0.14 mm ² , twisted pair, shielded	
Length	3 m	
Head A	Plug	Molex CLIK-Mate, single row, 4 poles (502578-0400)
	Contacts	Molex CLIK-Mate crimp terminals (502579)
Head B	Female D-Sub connector DIN 41652, 9 poles, with mounting screws	

Table 3-35 CAN-COM Cable

CAN-CAN Cable (520858)		
Cross-section	2 x 2 x 0.14 mm ² , twisted pair, shielded	
Length	3 m	
Head A	Plug	Molex CLIK-Mate, single row, 4 poles (502578-0400)
	Contacts	Molex CLIK-Mate crimp terminals (502579)
Head B	Plug	Molex CLIK-Mate, single row, 4 poles (502578-0400)
	Contacts	Molex CLIK-Mate crimp terminals (502579)

Table 3-36 CAN-CAN Cable

3.3.5.11 EtherCAT IN (X14) & EtherCAT OUT (X15)



Wrong plugging may cause hardware damage

Even though both EtherCAT sockets are prepared for identical external wiring, make sure to always connect them as follows.

- Use only standard Cat5 cables with RJ45 plug, such as maxon's «Ethernet Cable» (422827).
- Use EtherCAT IN (X14) as «Input».
- Use EtherCAT OUT (X15) as «Output».

For detailed information → separate document «EPOS4 Communication Guide».

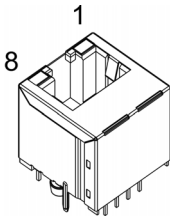


Figure 3-25 EtherCAT IN & EtherCAT OUT connectors X14 & X15

X14 X15 Head A Pin	Prefab Cable Color	Head B Pin	Signal	Description
1	white/ orange	1	TX+	Transmission Data+
2	orange	2	TX-	Transmission Data-
3	white/ green	3	RX+	Receive Data+
4	blue	4	-	not applicable
5	white/ blue	5	-	not applicable
6	green	6	RX-	Receive Data-
7	white/ brown	7	-	not applicable
8	brown	8	-	not applicable

Table 3-37 EtherCAT IN & EtherCAT OUT connectors X14 & X15 – Pin assignment

Continued on next page.

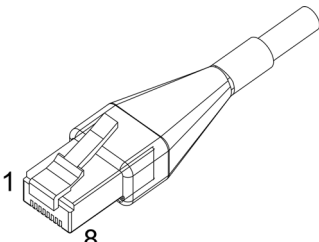
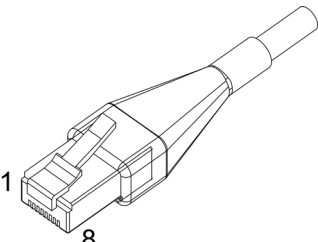
Ethernet Cable (422827)	
<div style="display: flex; justify-content: space-between; align-items: center;"> <div style="text-align: center;"> A  </div> <div style="text-align: center;"> B  </div> </div>	
Cross-section	Cat. 5e SF/UTP (ISO/IEC 11801), 1:1 patch cable, green
Length	2 m
Head A	RJ45 (8P8CS) EIA/TIA-568B
Head B	RJ45 (8P8CS) EIA/TIA-568B

Table 3-38 Ethernet Cable

3.3.6 Adapters for maxon EC motors with Flexprint Cable (FPC)

Use the ready-made adapters for easy connection of maxon EC motors with built-in FPC (Flexprint cable). The adapters are color-coded and match the following motors:

Order number	Adapter			Suitable motors with Hall sensors (not concluding)	
	Designation	Color	Poles	Type	Rating [W]
418719	Adapter BLACK FPC11poles	black	11	EC 10 EC 13 EC 20 flat EC 32 flat EC 45 flat	8 6 / 12 3 / 5 6 / 15 12 / 30
418723	Adapter BLUE FPC8poles	blue	8	EC 6 EC 8 EC 9.2 flat	1.5 / 2 2 0.5
418721	Adapter GREEN FPC8poles	green	8	EC 6 EC 10 flat	1.2 0.2

Table 3-39 Adapters for Flexprint cables

ADAPTER BLACK FPC11POLES

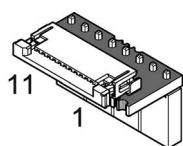


Figure 3-26 Adapter BLACK FPC11poles

Adapter BLACK Pin	Signal	Description
1	V_{Sensor}	Sensor supply voltage (+5 VDC; $I_L \leq 100$ mA)
2	Hall sensor 3	Hall sensor 3 input
3	Hall sensor 1	Hall sensor 1 input
4	Hall sensor 2	Hall sensor 2 input
5	GND	Ground
6	Motor winding 3	EC motor: Winding 3
7	Motor winding 3	EC motor: Winding 3
8	Motor winding 2	EC motor: Winding 2
9	Motor winding 2	EC motor: Winding 2
10	Motor winding 1	EC motor: Winding 1
11	Motor winding 1	EC motor: Winding 1

Table 3-40 Adapter BLACK FPC11poles – Pin assignment

ADAPTER BLUE FPC8POLES

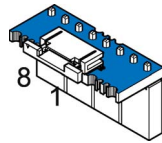


Figure 3-27 Adapter BLUE FPC8poles

Adapter BLUE Pin	Signal	Description
1	Motor winding 1	EC motor: Winding 1
2	Motor winding 2	EC motor: Winding 2
3	Motor winding 3	EC motor: Winding 3
4	V_{Sensor}	Sensor supply voltage (+5 VDC; $I_L \leq 100 \text{ mA}$)
5	GND	Ground
6	Hall sensor 1	Hall sensor 1 input
7	Hall sensor 2	Hall sensor 2 input
8	Hall sensor 3	Hall sensor 3 input

Table 3-41 Adapter BLUE FPC8poles – Pin assignment

ADAPTER GREEN FPC8POLES

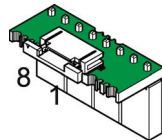


Figure 3-28 Adapter GREEN FPC8poles

Adapter GREEN Pin	Signal	Description
1	Motor winding 3	EC motor: Winding 3
2	Motor winding 2	EC motor: Winding 2
3	Hall sensor 3	Hall sensor 3 input
4	V_{Sensor}	Sensor supply voltage (+5 VDC; $I_L \leq 100 \text{ mA}$)
5	GND	Ground
6	Hall sensor 1	Hall sensor 1 input
7	Hall sensor 2	Hall sensor 2 input
8	Motor winding 1	EC motor: Winding 1

Table 3-42 Adapter GREEN FPC8poles – Pin assignment

3.3.7 DIP Switch Configuration (SW1)

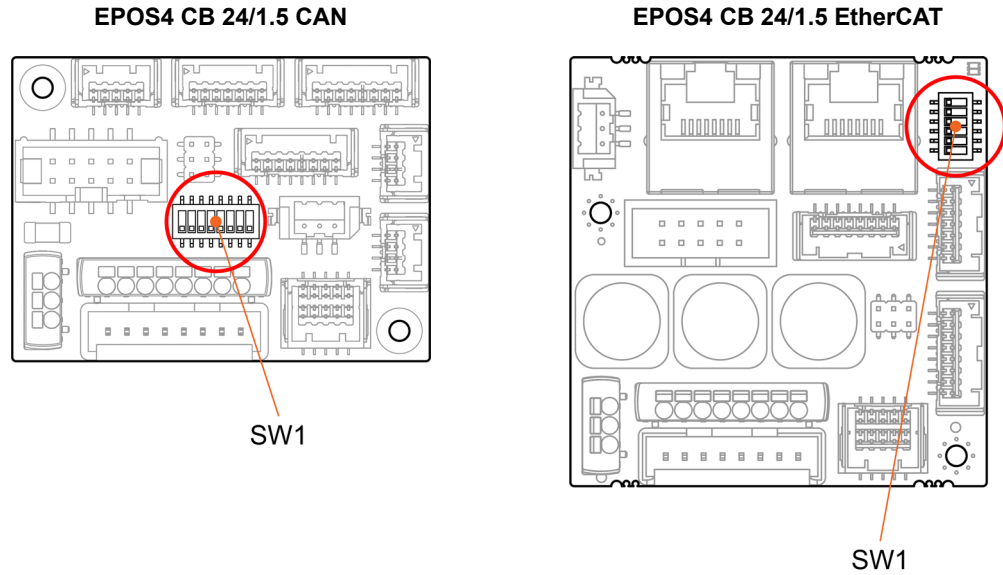


Figure 3-29 DIP switch SW1

3.3.7.1 CAN ID (Node-ID) / DEV ID



Setting the ID by means of DIP switches is currently available for CAN only!

The device's identification (subsequently called "ID") is set by means of DIP switches 1...5. The ID (1...31) may be coded using binary code.



Setting the ID by DIP switch SW1

- By setting the DIP switch (1...5) address 0 ("OFF"), the ID may be set by software (object 0x2000 «Node-ID», range 1...127).
- The ID results in the summed values of DIP switch addresses 1 ("ON").
- With EPOS4 CB Power CAN, DIP switches 6...8 do not have any impact on the ID.
- With EPOS4 CB Power EtherCAT, DIP switch 6 does not have any impact on the ID.

Controller		Switch	Binary Code	Valence
Compact CAN	Compact EtherCAT			
		1	2 ⁰	1
		2	2 ¹	2
		3	2 ²	4
		4	2 ³	8
		5	2 ⁴	16

Table 3-43 DIP switch SW1 – Binary code values

Continued on next page.

The set ID can be observed by adding the valence of all activated switches. Use the following table as a (non-concluding) guide:

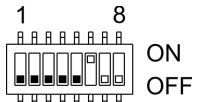
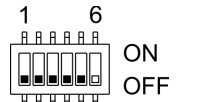
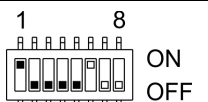
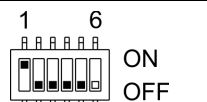
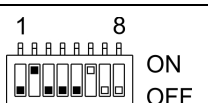


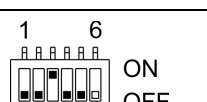


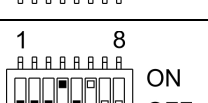

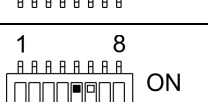

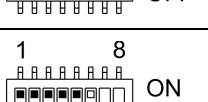
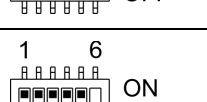
Controller		Switch					ID
Compact CAN	Compact EtherCAT	1	2	3	4	5	
 ON OFF	 ON OFF	0	0	0	0	0	–
 ON OFF	 ON OFF	1	0	0	0	0	1
 ON OFF	 ON OFF	0	1	0	0	0	2
 ON OFF	 ON OFF	0	0	1	0	0	4
 ON OFF	 ON OFF	1	0	1	0	0	5
 ON OFF	 ON OFF	0	0	0	1	0	8
 ON OFF	 ON OFF	0	0	0	0	1	16
 ON OFF	 ON OFF	1	1	1	1	1	31
0 = Switch "OFF" 1 = Switch "ON"							

Table 3-44 DIP switch SW1 – Examples

3.3.7.2 CAN automatic Bit Rate Detection (Compact CAN)

Controller	Switch	OFF	ON
Compact CAN	6		

Table 3-45 DIP switch SW1 – CAN automatic bit rate detection

3.3.7.3 CAN Bus Termination (Compact CAN)

Controller	Switch	OFF	ON
Compact CAN	7		

Table 3-46 DIP switch SW1 – CAN bus termination

3.3.7.4 Digital Input Level

For details →chapter “3.4.7 Digital I/Os” on page 3-68.

Controller	Switch	OFF	ON
Compact CAN	8		
Compact EtherCAT	6		

Table 3-47 DIP switch SW1 – Digital input level

3.3.8 Jumper Configuration (JP1)

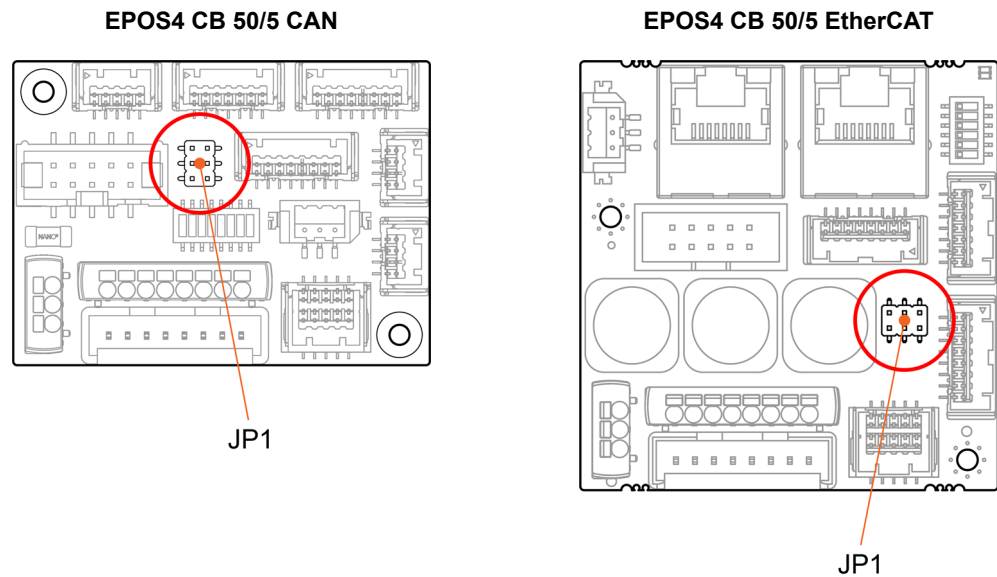


Figure 3-30 Jumper JP1

3.3.8.1 Connection of DC Motor with integrated Motor/Encoder Ribbon Cable

The motor windings of a DC motor with MR encoder are connected via an integrated motor/encoder ribbon cable. To activate that option, you will need to set the jumper JP1 accordingly.



Settings for jumper JP1

- Bridging the jumper pins 1/2 and 5/6 disconnects the motor windings from the encoder connector X5 (→Table 3-48; “OFF”)
- Bridging the jumper pins 2/4 and 3/5 connects the motor windings (+M) and (-M) to the encoder connector X5, pins 1 and 4 (→Table 3-48; “ON”)

JP1	OFF	ON
Bridges	<p>Motor windings disconnected (factory setting)</p>	<p>Motor windings connected</p>

Table 3-48 Jumper JP1 – Power supply for DC motor winding

3.3.9 Spare Parts

Order number	Description
520860	STO Idle Connector X9
590736	Power & Logic Supply Connector X1/X2
590737	Motor & Hall Sensors Connector X3a/X4a

Table 3-49 Spare parts list

3.4 Connection Specifications

The actual connection will depend on the overall configuration of your drive system and the type of motor you will be using. Follow the description in given order and choose the wiring diagram (→ as of page 5-93) that best suits the components you are using.



How to read the following data

The following tables feature, where applicable, connection details for both versions the Module and the Compact. Thereby,...

- the column «Module Header Pin» refers to the header's pin number.
Example: **A23...A29** means header A, pins 23 thru 29
- the column «Compact/CB Connector Pin» refers to the connector's pin number.
Example: **X1/X2 | 2** means connector X1/X2, pin 2

For easier legibility, the subsequently used circuit diagrams refer to the Module. For the corresponding Compact's circuitry take the second column «Compact/CB Connector Pin» into account.

3.4.1 Power Supply

Basically, any power supply may be used provided that it meets the below stated minimum requirements.

Module Header Pin	Compact/CB Connector Pin	Signal	Description
A23...A29**	X1/X2 2	+V _{CC}	Power supply voltage (+10...+24 VDC)
A30...A36**	X1/X2 1	GND	Ground

** Connect all pins in respect to the individual pin current rating.

Table 3-50 Power supply – Pin assignment

Power supply requirements	
Output voltage	+V _{CC} 10...24 VDC
Absolute output voltage	min. 8 VDC; max. 28 VDC
Output current	Depending on load <ul style="list-style-type: none"> • continuous max. 1.5 A • short-time (acceleration, <30 s) max. 4.5 A

Table 3-51 Power supply requirements

- 1) Use the formula below to calculate the required voltage under load.
- 2) Choose a power supply according to the calculated voltage. Thereby consider:
 - a) During braking of the load, the power supply must be capable of buffering the recovered kinetic energy (for example, in a capacitor).
 - b) If you are using an electronically stabilized power supply, make sure that the overcurrent protection circuit is configured inoperative within the operating range.

Continued on next page.



The formula already takes the following into account:

- Maximum PWM duty cycle of 90%
- Controller's max. voltage drop of 1 V @ 1.5 A

KNOWN VALUES:

- Operating torque M [mNm]
- Operating speed n [rpm]
- Nominal motor voltage U_N [Volt]
- Motor no-load speed at U_N ; n_o [rpm]
- Speed/torque gradient of the motor $\Delta n/\Delta M$ [rpm/mNm]

SOUGHT VALUE:

- Supply voltage $+V_{CC}$ [Volt]

SOLUTION:

$$V_{CC} \geq \left[\frac{U_N}{n_o} \cdot \left(n + \frac{\Delta n}{\Delta M} \cdot M \right) \cdot \frac{1}{0.9} \right] + 1 [V]$$

3.4.2 Logic Supply



Separate power supply

The logic part of the controller may be supplied by separate supply voltage provided that it meets the below stated minimum requirements.

- *Module:* The logic supply must be connected separately.
- *Compact:* If not supplied separately, the logic supply is internally connected to the power supply.

Module Header Pin	Compact/CB Connector Pin	Signal	Description
A22	X1/X2 3	$+V_C$	Logic supply voltage (+10...+24 VDC)
A30...A36**	X1/X2 1	GND	Ground

** Connect all pins in respect to the individual pin current rating.

Table 3-52 Logic supply – Pin assignment

Power supply requirements	
Output voltage	$+V_C$ 10...24 VDC
Absolute supply voltage	min. 8 VDC; max. 28 VDC
Min. output power	P_C min. 3.5 W

Table 3-53 Logic supply requirements

3.4.3 Motor

The EPOS4 is set to drive either maxon DC motors (brushed) or maxon EC motors (brushless).

Module Header Pin	Compact/CB Connector Pin	Signal	Description
A1...A7**	X3a/X4a 1 X3b/X4b 1 X3c 1	Motor (+M)	Motor +
A8...A14**	X3a/X4a 2 X3b/X4b 2 X3c 2	Motor (-M)	Motor -
-	X3a/X4a 3 X3b/X4b 3 X3c 3	-	not connected

** Connect all pins in respect to the individual pin current rating.

Table 3-54 DC motor – Pin assignment

Module Header Pin	Compact/CB Connector Pin	Signal	Description
A1...A7**	X3a/X4a 1 X3b/X4b 1	Motor winding 1	Winding 1
A8...A14**	X3a/X4a 2 X3b/X4b 2	Motor winding 2	Winding 2
A15...A21**	X3a/X4a 3 X3b/X4b 3	Motor winding 3	Winding 3

** Connect all pins in respect to the individual pin current rating.

Table 3-55 EC motor – Pin assignment

3.4.4 Hall Sensor

Module Header Pin	Compact/CB Connector Pin	Signal	Description
A30...A36	X3a/X4a 5 X3b/X4b 5	GND	Ground
A37	X3a/X4a 6 X3b/X4b 6	Hall sensor 1	Hall sensor 1 input
A38	X3a/X4a 7 X3b/X4b 7	Hall sensor 2	Hall sensor 2 input
A39	X3a/X4a 8 X3b/X4b 8	Hall sensor 3	Hall sensor 3 input
A40	X3a/X4a 4 X3b/X4b 4	V_{Sensor}	Sensor supply voltage (+5 VDC; $I_L \leq 100$ mA)

Table 3-56 Hall sensor – Pin assignment

Hall sensor	
Sensor supply voltage (V_{Sensor})	+5 VDC
Max. Hall sensor supply current	30 mA
Input voltage	0...24 VDC
Max. input voltage	+24 VDC
Logic 0	typically <0.8 V
Logic 1	typically >2.0 V
Internal pull-up resistor	10 k Ω (referenced to +5.45 V)

Table 3-57 Hall sensor specification

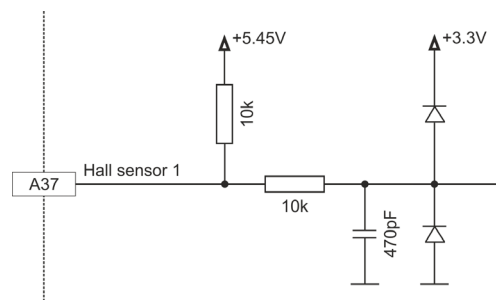


Figure 3-31 Hall sensor 1 input circuit (analogously valid for Hall sensors 2 & 3)

3.4.5 Encoder



Best practice

- *Differential signals offer good resistance against electrical interference. Therefore, **we recommend using a differential scheme**. Nevertheless, the controller supports both schemes – differential and single-ended (unsymmetrical).*
- *For best performance, **we strongly recommend using encoders with a line driver**. Otherwise, limitations may apply due to slow switching edges.*
- *Even though 2-channel will do, **we strongly recommend to use only 3-channel versions**.*

Module Header Pin	Compact/CB Connector Pin	Signal	Description
A30...A36	X5 3	GND	Ground
A40	X5 2	V _{Sensor}	Sensor supply voltage (+5 VDC; I _L ≤100 mA)
A41	X5 6	Channel A	Digital incremental encoder channel A
A42	X5 5	Channel A\	Digital incremental encoder channel A complement
A43	X5 8	Channel B	Digital incremental encoder channel B
A44	X5 7	Channel B\	Digital incremental encoder channel B complement
A45	X5 10	Channel I	Digital incremental encoder channel I
A46	X5 9	Channel I\	Digital incremental encoder channel I complement

Table 3-58 Encoder – Pin assignment

Continued on next page.

Encoder (differential)	
Sensor supply voltage (V_{Sensor})	+5 VDC
Max. encoder supply current	70 mA
Min. differential input voltage	± 200 mV
Max. input voltage	± 12 VDC
Line receiver (internal)	EIA RS422 standard
Max. input frequency	6.25 MHz

Table 3-59 Differential encoder specification

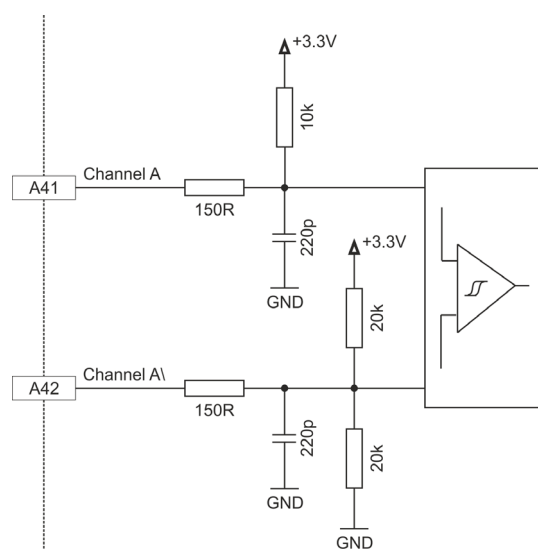


Figure 3-32 Encoder input circuit Ch A “differential” (analogously valid for Ch B & Ch I)

Encoder (single-ended)		
Sensor supply voltage (V_{Sensor})	+5 VDC	
Max. encoder supply current	70 mA	
Input voltage	0...5 VDC	
Max. input voltage	± 12 VDC	
Logic 0	<1.0 V	
Logic 1	>2.4 V	
Input high current	I_{IH} = typically +250 μA @ 5 V	
Input low current	I_{IL} = typically -330 μA @ 0 V	
Max. input frequency	Push-pull	Open collector
	6.25 MHz	40 kHz (internal pull-up only)
		150 kHz (additional external 3k3 pull-up)

Table 3-60 Single-ended encoder specification

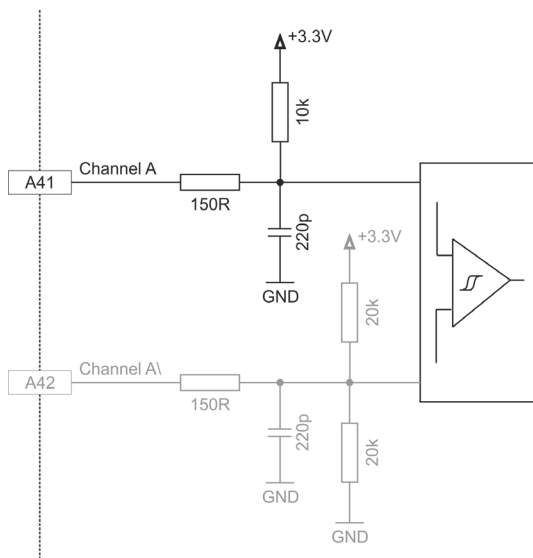


Figure 3-33 Encoder input circuit Ch A "single-ended" (analogously valid for Ch B & Ch I)

3.4.6 Sensor

**Check on the applied sensor's data sheet**

If the specified inrush current or the maximum continuous current of the sensor should exceed 150 mA, you can connect the sensor supply voltage (V_{Sensor}) in parallel to the auxiliary output voltage (V_{Aux}).

3.4.6.1 Incremental Encoder

Module Header Pin	Compact/CB Connector Pin	Signal	Description
B7	X6 1	Channel A	Digital/analog incremental encoder channel A
B8	X6 2	Channel A\	Digital/analog incremental encoder channel A complement
B9	X6 3	Channel B	Digital/analog incremental encoder channel B
B10	X6 4	Channel B\	Digital/analog incremental encoder channel B complement
B11	X6 5	Channel I	Digital/analog incremental encoder channel I
B12	X6 6	Channel I\	Digital/analog incremental encoder channel I complement
B15	X6 10	V_{Aux}	Auxiliary output voltage (+5 VDC; $I_L \leq 150$ mA)
B16	X6 9	GND	Ground

Table 3-61 Incremental encoder – Pin assignment

Digital incremental encoder (differential)	
Auxiliary output voltage (V_{Aux})	+5 VDC
Max. auxiliary supply current	150 mA
Min. differential input voltage	± 200 mV
Max. input voltage	+12 VDC
Line receiver (internal)	EIA RS422 standard
Max. input frequency	6.25 MHz

Table 3-62 Differential digital incremental encoder specification

Continued on next page.

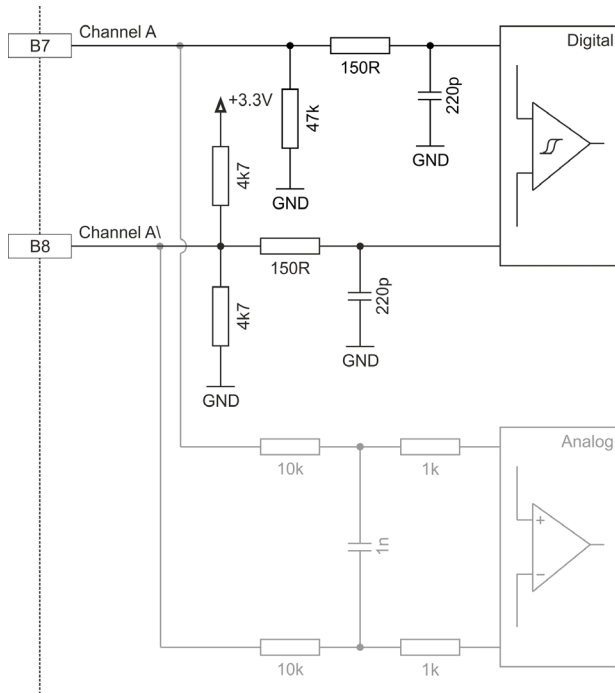


Figure 3-34 Digital incremental encoder input circuit Ch A “differential” (analogously valid for Ch B)

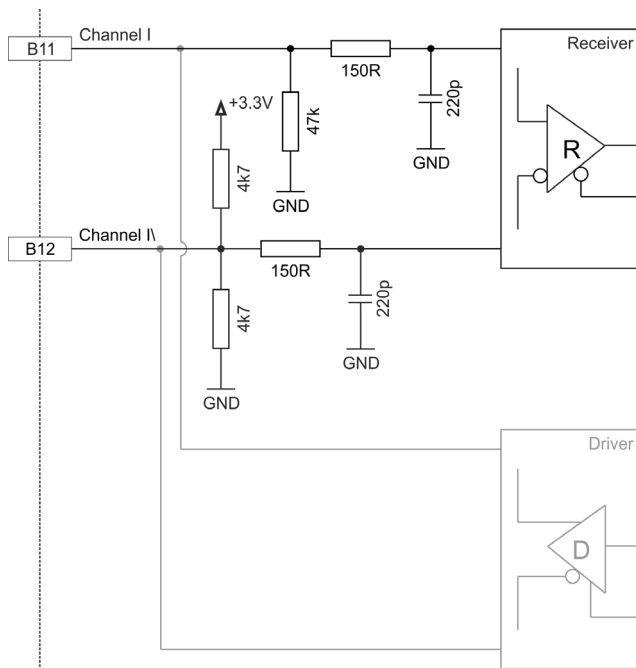


Figure 3-35 Digital incremental encoder input circuit Ch I

Digital incremental encoder (single-ended)		
Auxiliary output voltage (V_{Aux})	+5 VDC	
Max. auxiliary supply current	150 mA	
Input voltage	0...5 VDC	
Max. input voltage	± 12 VDC	
Logic 0	<1.0 V	
Logic 1	>2.4 V	
Input high current	typically 210 μ A @ +5 VDC (channel A, B) typically 60 μ A @ +5 VDC (channel I)	
Input low current	typically -80 μ A @ 0 VDC (channel A, B) typically -7 μ A @ 0 VDC (channel I)	
Max. input frequency	Push-pull	Open collector
	6.25 MHz	100 kHz (additional external 3k3 pull-up)

Table 3-63 Single-ended digital incremental encoder specification

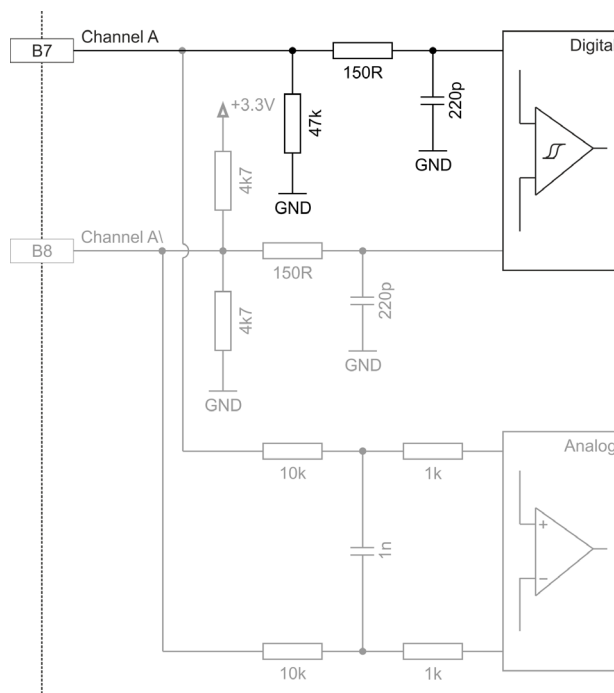


Figure 3-36 Digital incremental encoder input circuit Ch A “single-ended” (analogously valid for Ch B)

Continued on next page.

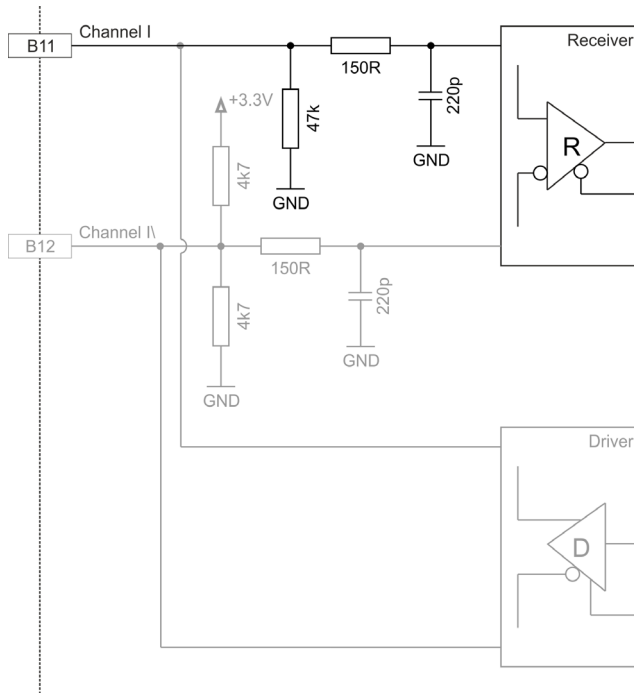


Figure 3-37 Digital incremental encoder input circuit Ch I

Analog incremental encoder SinCos (differential)	
Auxiliary output voltage (V_{Aux})	+5 VDC
Max. auxiliary supply current	150 mA
Input voltage	± 1.8 V (differential)
Max. input voltage	± 12 VDC
Common mode voltage	-9...+4 VDC (referenced to GND)
Input resistance	typically 10 k Ω
A/D converter	12-bit
Resolution	0.88 mV
Bandwidth	10 kHz

Table 3-64 Differential analog incremental encoder specification

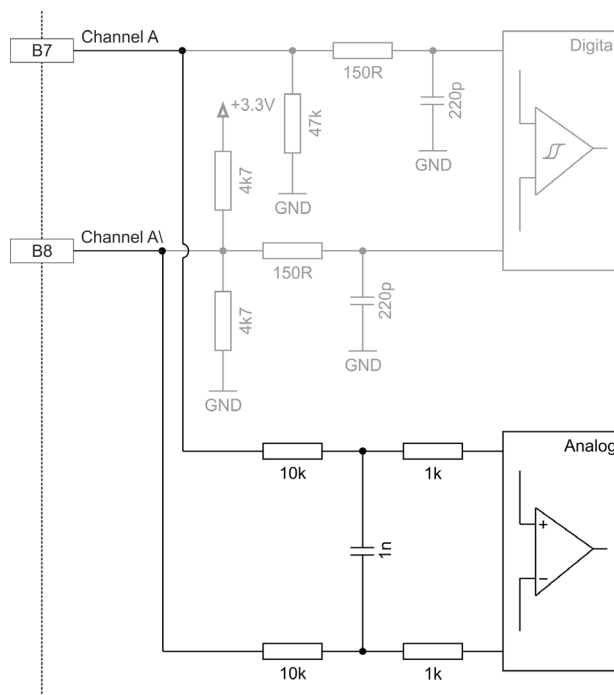


Figure 3-38 Analog incremental encoder input circuit Ch A “differential” (analogously valid for Ch B)

Continued on next page.

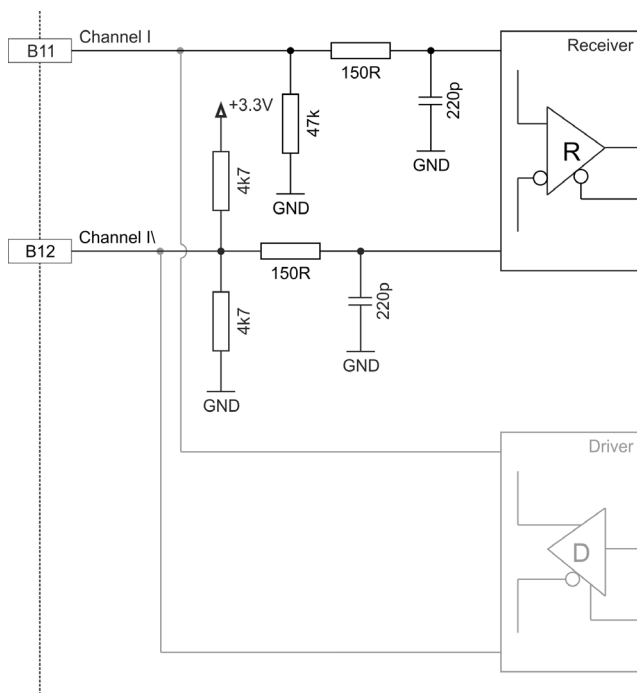


Figure 3-39 Analog incremental encoder input circuit Ch I (digital evaluation)

3.4.6.2 SSI Absolute Encoder

Module Header Pin	Compact/CB Connector Pin	Signal	Description
B11	X6 5	Clock	Clock (SSI)
B12	X6 6	Clock\	Clock (SSI) complement
B13	X6 7	Data	Data (SSI)
B14	X6 8	Data\	Data (SSI) complement
B15	X6 10	V _{Aux}	Auxiliary output voltage (+5 VDC; I _L ≤150 mA)
B16	X6 9	GND	Ground

Table 3-65 SSI absolute encoder – Pin assignment

SSI absolute encoder	
Auxiliary output voltage (V _{Aux})	+5 VDC
Max. auxiliary supply current	150 mA
Min. differential input voltage	±200 mV
Min. differential output voltage	±1.8 V @ external load R=54 Ω
Max. output current	40 mA
Line receiver (internal)	EIA RS422 standard
Encoder input/output frequency	0.4... 2 MHz

Table 3-66 SSI absolute encoder specification

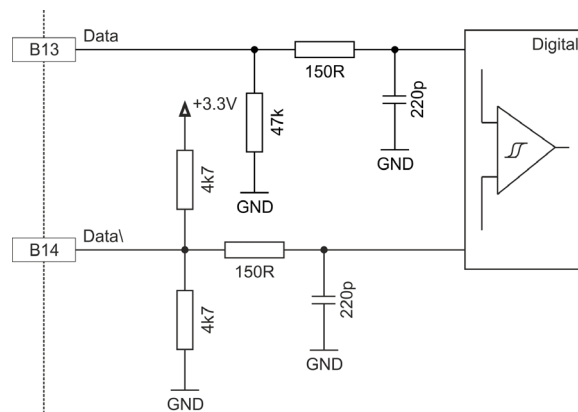


Figure 3-40 SSI absolute encoder data input

Continued on next page.

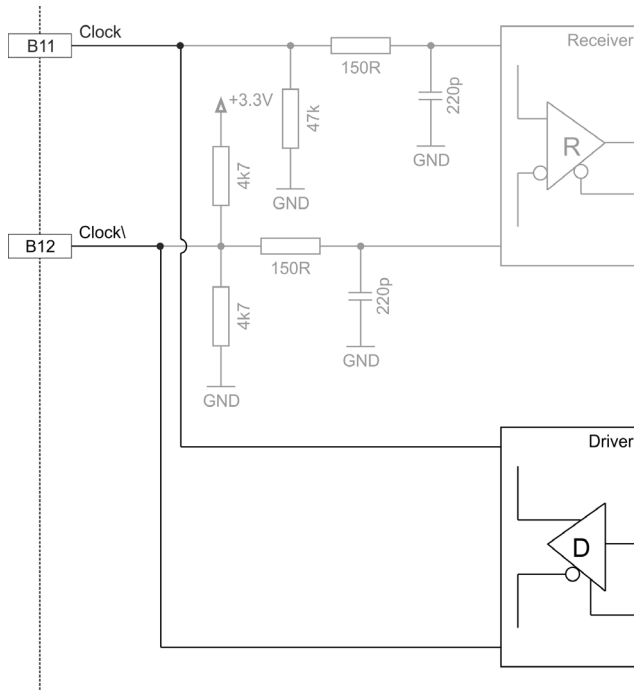


Figure 3-41 SSI absolute encoder clock output

3.4.6.3 High-speed Digital I/Os

Alternatively, the sensor interface can be used for high-speed digital I/O operation.

Module Header Pin	Compact/CB Connector Pin	Signal	Description
B7	X6 1	HsDigIN1	High-speed digital input 1
B8	X6 2	HsDigIN1\	High-speed digital input 1 complement
B9	X6 3	HsDigIN2	High-speed digital input 2
B10	X6 4	HsDigIN2\	High-speed digital input 2 complement
B11	X6 5	HsDigIN3	High-speed digital input 3
		HsDigOUT1	High-speed digital output 1
B12	X6 6	HsDigIN3\	High-speed digital input 3 complement
		HsDigOUT1\	High-speed digital output 1 complement
B13	X6 7	HsDigIN4	High-speed digital input 4
B14	X6 8	HsDigIN4\	High-speed digital input 4 complement
B15	X6 10	V _{Aux}	Auxiliary output voltage (+5 VDC; I _L ≤150 mA)
B16	X6 9	GND	Ground

Table 3-67 High-speed digital I/Os – Pin assignment

High-speed digital input 1...4 (differential)	
Max. input voltage	±12 VDC
Min. differential input voltage	±200 mV
Line receiver (internal)	EIA RS422 standard
Max. input frequency	6.25 MHz

Table 3-68 Differential high-speed digital input specification

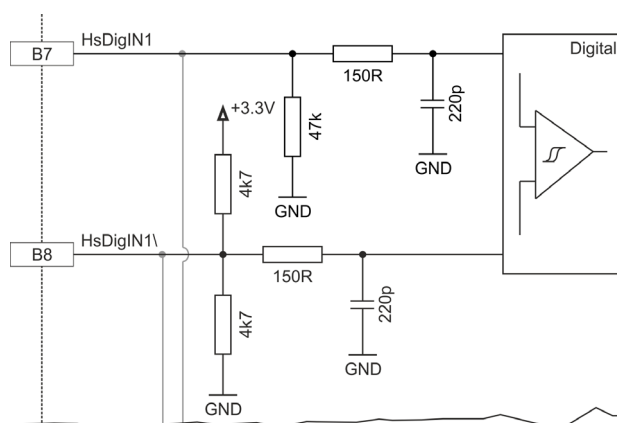


Figure 3-42 HsDigIN1 circuit “differential” (analogously valid for HsDigIN2...4)

High-speed digital input 1...4 (single-ended)	
Input voltage	0...5 VDC
Max. input voltage	±12 VDC
Logic 0	<1.0 V
Logic 1	>2.4 V
Input high current	typically 210 μA @ +5 VDC (HsDigIN1, 2) typically 60 μA @ +5 VDC (HsDigIN3, 4)
Input low current	typically -80 μA @ 0 VDC (HsDigIN1, 2) typically -7 μA @ 0 VDC (HsDigIN3, 4)
Max. input frequency	6.25 MHz

Table 3-69 Single-ended high-speed digital input specification

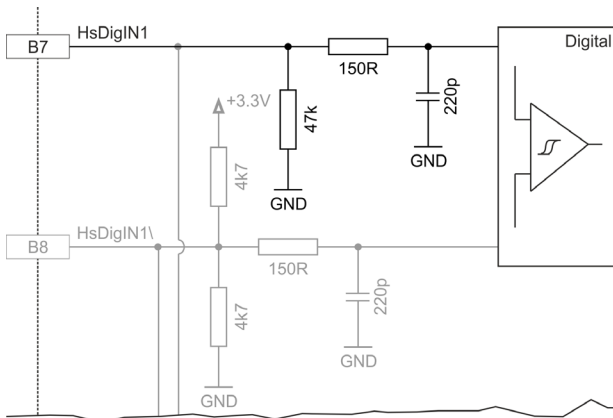


Figure 3-43 HsDigIN1 circuit “single-ended” (analogously valid for HsDigIN2...4)

High-speed digital output 1	
Min. differential output voltage	$\pm 1.8 \text{ V @ external load } R=54 \Omega$
Max. output current	40 mA
Line transceiver (internal)	EIA RS422 standard
Max. output frequency	6.25 MHz

Table 3-70 High-speed digital output specification

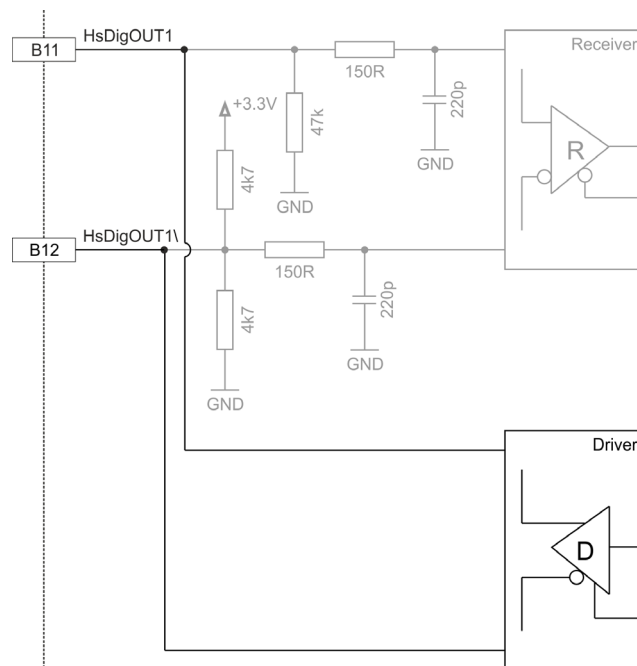


Figure 3-44 HsDigOUT1 output circuit

3.4.7 Digital I/Os

3.4.7.1 Module

Module Header Pin	Signal	Description
B1	DigIN1	Digital input 1
B2	DigIN2	Digital input 2
B3	DigIN3	Digital input 3
B4	DigIN4	Digital input 4
B5	DigOUT1	Digital output 1
B6	DigOUT2	Digital output 2
B15	V _{Aux}	Auxiliary output voltage (+5 VDC; I _L ≤150 mA)
B16	GND	Ground

Table 3-71 Digital I/Os – Pin assignment – Module

Digital inputs 1...4 (Module)	
Input voltage	0...36 VDC
Max. input voltage	±36 VDC
Logic 0	<0.8 V
Logic 1	>2.1 V
Input resistance	typically 47 kΩ (<3.3 V) typically 37.5 kΩ (@ 5 V) typically 25.5 kΩ (@ 24 V)
Input current at logic 1	typically 135 μA @ +5 VDC
Switching delay	<300 μs

Table 3-72 Digital input specification

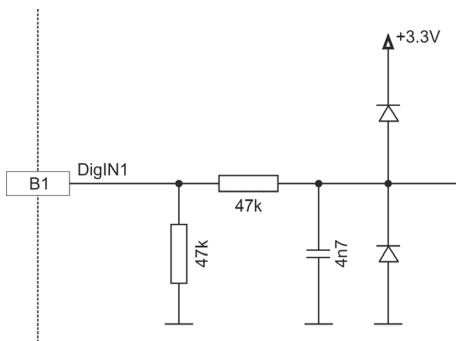


Figure 3-45 DigIN1 circuit (analogously valid for DigIN2...4) – Module

3.4.7.2 Compact

Compact/CB Connector Pin	Signal	Description
X7 1	DigIN1	Digital input 1
X7 2	DigIN2	Digital input 2
X7 3	DigIN3	Digital input 3
X7 4	DigIN4	Digital input 4
X7 5	DigOUT1	Digital output 1
X7 6	DigOUT2	Digital output 2
X7 7	GND	Ground
X7 8	V _{Aux}	Auxiliary output voltage (+5 VDC; I _L ≤ 150 mA)

Table 3-73 Digital I/Os – Pin assignment – Compact

Digital inputs 1...4 (Compact / Logic level setting)	
Input voltage	0...30 VDC
Max. input voltage	±30 VDC
Logic 0	<0.8 V
Logic 1	>2.0 V
Input current at logic 1	250 µA @ 5 VDC
Switching delay	<300 µs @ 5 VDC

Table 3-74 Digital input specification – Logic level setting

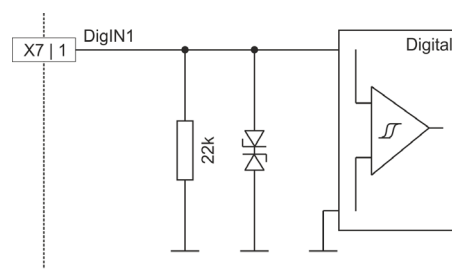


Figure 3-46 DigIN1 circuit (analogously valid for DigIN2...4) – Compact / Logic level setting

Continued on next page.

Digital inputs 1...4 (Compact / PLC level setting)	
Input voltage	0...30 VDC
Max. input voltage	±30 VDC
Logic 0	<5.5 V
Logic 1	>9 V
Input current at logic 1	>2 mA @ 9 VDC typically 3.5 mA @ 24 VDC
Switching delay	<300 μs @ 24 VDC

Table 3-75 Digital input specification – PLC level setting

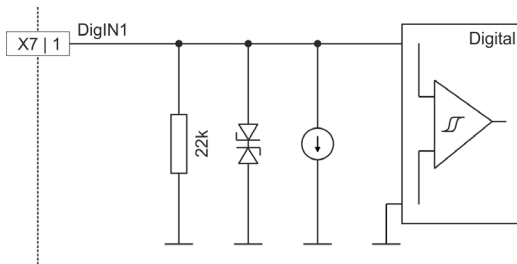


Figure 3-47 DigIN1 circuit (analogously valid for DigIN2...4) – Compact / PLC level setting

For pin assignment of digital outputs → Table 3-71 and Table 3-73.

Digital outputs 1...2	
Circuit	Open drain (internal pull-up resistor 2k2 and diode to +5.45 VDC)

Table 3-76 Digital output specification

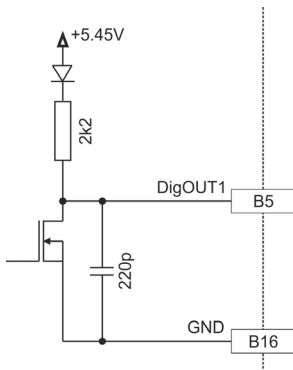


Figure 3-48 DigOUT1 circuit (analogously valid for DigOUT2 and Compact)

Continued on next page.

WIRING EXAMPLES

DigOUT "sinks"	
Max. input voltage	+36 VDC
Max. load current	500 mA
Max. voltage drop	0.5 V @ 500 mA
Max. load inductance	100 mH @ 24 VDC; 500 mA

Table 3-77 Digital output – Sinks

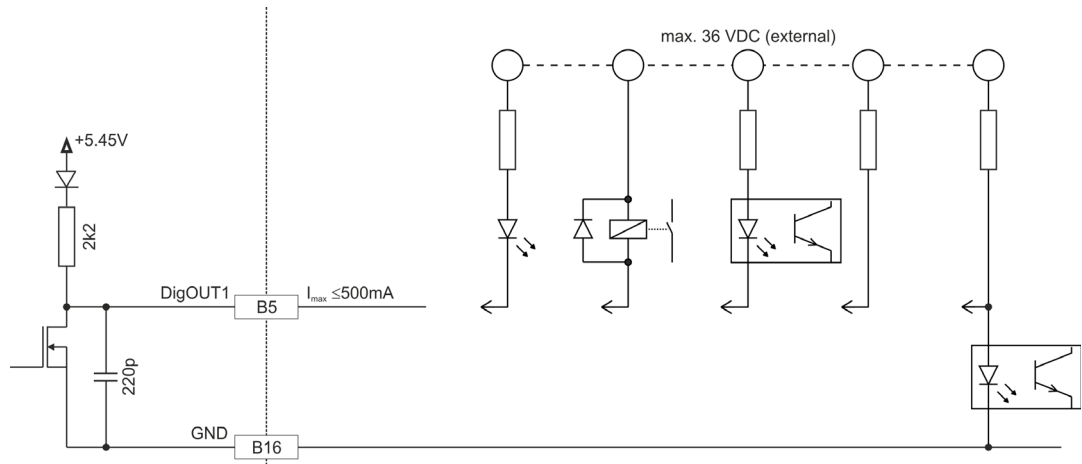


Figure 3-49 DigOUT1 "sinks" (analogously valid for DigOUT2 and Compact)

DigOUT "source"	
Output voltage	$U_{Out} = 5.45\text{ V} - 0.75\text{ V} - (I_{Load} \times 2200\ \Omega)$
Max. load current	$I_{Load} \leq 2\text{ mA}$

Table 3-78 Digital output – Source

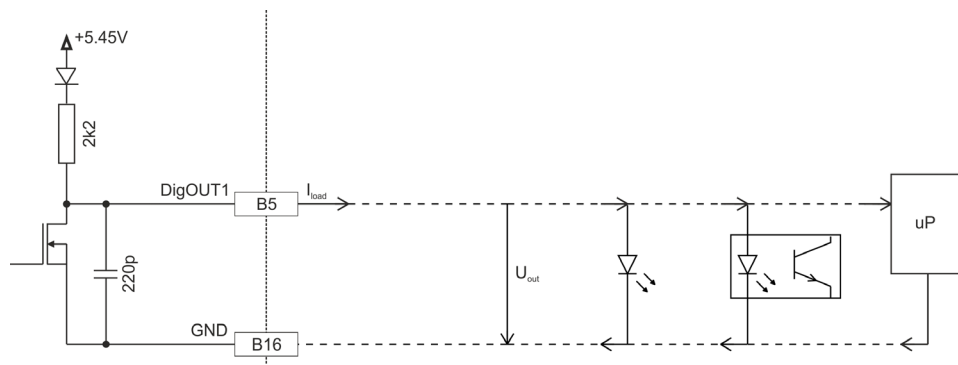


Figure 3-50 DigOUT1 "source" (analogously valid for DigOUT2 and Compact)

3.4.8 Safe Torque Off I/Os

The STO (Safe Torque Off) function can be utilized to bring the drive to a torque-free, safe condition via two independent inputs. The drive output power stage is switched off if either one of the inputs is not powered.

For in-depth details on the STO functionality → separate document «EPOS4 Application Notes».



Non-certified STO functionality

The implemented STO functionality will not be certified.



Activation of power stage

*In order to activate the power stage, **both** STO inputs must be powered.*

Module Header Pin	Compact/CB Connector Pin	Signal	Description
–	X9 8	V_{STO}	Activation voltage for STO inputs (+5 VDC) Note: Do not use this voltage for any other purpose
B15	–	V_{Aux}	Auxiliary output voltage (+5 VDC; $I_L \leq 150$ mA)
B16	X9 7	GND	Ground
B17	X9 1	STO-IN1+	Safe Torque Off input 1, positive signal
B18	X9 2	STO-IN1–	Safe Torque Off input 1, negative signal
B19	X9 3	STO-IN2+	Safe Torque Off input 2, positive signal
B20	X9 4	STO-IN2–	Safe Torque Off input 2, negative signal
B21	X9 5	STO-OUT+	Safe Torque Off output, positive signal
B22	X9 6	STO-OUT–	Safe Torque Off output, negative signal

Table 3-79 STO I/Os – Pin assignment

Safe Torque Off inputs 1...2	
Circuit type	Optically isolated input
Input voltage	0...+30 VDC
Max. input voltage	±30 VDC
Logic 0	<1.0 VDC
Logic 1	>4.5 VDC
Input current at logic 1	>2 mA @ 5 VDC typically 3.2 mA @ 24 VDC
Reaction time	<25 ms

Table 3-80 STO input specification

Continued on next page.

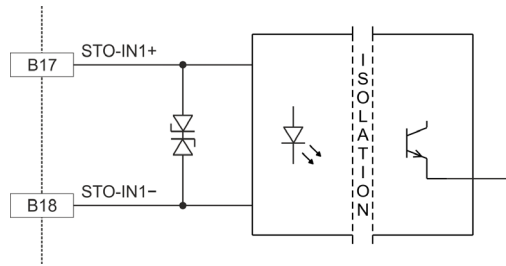


Figure 3-51 STO-IN1 circuit (analogously valid for STO-IN2)

Safe Torque Off output	
Circuit type	Optically isolated output with self-resetting short-circuit protection
Max. input voltage	±30 VDC
Max. load current	15 mA
Leakage current	<10 µA @ +30 VDC
Max. voltage drop	1.3 V @ 2 mA 2.5 V @ 15 mA

Table 3-81 STO output specification

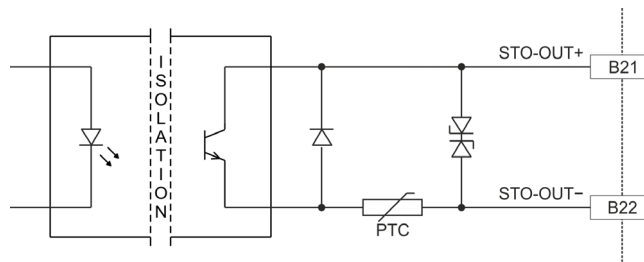


Figure 3-52 STO-OUT circuit

STO Logic State			
STO-IN1	STO-IN2	STO-OUT	Power Stage
0	0	open	inactive
1	0	closed	inactive
0	1	closed	inactive
1	1	closed	active

Table 3-82 STO logic state

3.4.9 Analog I/Os

Module Header Pin	Compact/CB Connector Pin	Signal	Description
B16	X8 7	GND	Ground
B23	X8 1	AnIN1+	Analog input 1, positive signal
B24	X8 2	AnIN1-	Analog input 1, negative signal
B25	X8 3	AnIN2+	Analog input 2, positive signal
B26	X8 4	AnIN2-	Analog input 2, negative signal
B27	X8 5	AnOUT1	Analog output 1
B28	X8 6	AnOUT2	Analog output 2

Table 3-83 Analog I/Os – Pin assignment

Analog inputs 1...2	
Input voltage	±10 VDC (differential)
Max. input voltage	±24 VDC
Common mode voltage	-5...+10 VDC (referenced to GND)
Input resistance	80 kΩ (differential) 65 kΩ (referenced to GND)
A/D converter	12-bit
Resolution	5.64 mV
Bandwidth	10 kHz

Table 3-84 Analog input specification

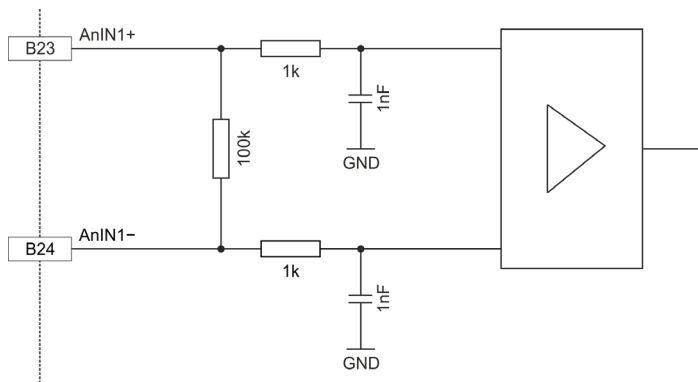


Figure 3-53 AnIN1 circuit (analogously valid for AnIN2)

Analog outputs 1...2	
Output voltage	±4 VDC
D/A converter	12-bit
Resolution	2.42 mV
Refresh rate	2.5 kHz
Analog bandwidth of output amplifier	25 kHz
Max. capacitive load	300 nF Note: The increase rate is limited in proportion to the capacitive load (e.g. 5 V/ms @ 300 nF)
Max. output current limit	1 mA

Table 3-85 Analog output specification

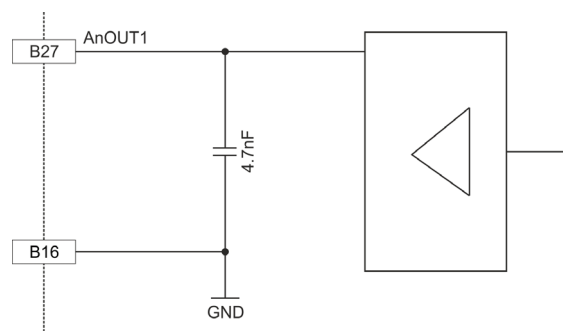


Figure 3-54 AnOUT1 circuit (analogously valid for AnOUT2)

3.4.10 Serial Communication Interface (SCI) / RS232

The SCI is a two-wire asynchronous serial port, commonly known as a UART. The SCI modules support digital communication between the CPU and other asynchronous peripherals that use the standard non-return-to-zero (NRZ) format.

A common use of the Module's SCI is to build an RS232 interface by wiring it to an RS232 transceiver. Alternatively, using any of the Compact versions does not require an external transceiver.



Bit rate settings

- Consider the master's maximal bite rate.
- The standard bit rate setting (factory setting) is 115'200 bit/s.

3.4.10.1 Module

Module Header Pin	Signal	Description
B38	GND	Ground
B39 ⁽⁶⁾	DSP_RxD	Serial communication interface receive (UART)
B40	DSP_TxD	Serial communication interface transmit (UART)
⁽⁶⁾ connect to sensor supply voltage V_{Sensor} (A40) when RS232 is not in use		

Table 3-86 SCI – Pin assignment

Serial Communication Interface (SCI)	
Input voltage	0...3.3 VDC
Max. input voltage	5 VDC
High-level input voltage	>2.0 VDC
Low-level input voltage	<0.8 VDC
High-level output voltage	>2.4 VDC
Low-level output voltage	<0.4 VDC
Series resistance (both lines)	10 k Ω
Max. bit rate	115'200 bit/s
Data format	NRZ (non-return-to-zero)

Table 3-87 SCI specification

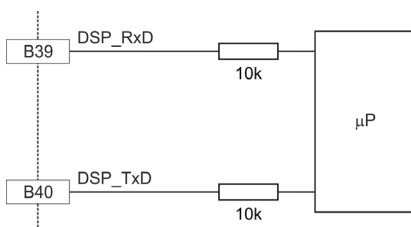


Figure 3-55 SCI circuit

3.4.10.2 Compact CAN

Compact/CB Connector Pin	Signal	Description
X10 1	EPOS_RxD	EPOS RS232 receive
X10 2	GND	Ground
X10 3	EPOS_TxD	EPOS RS232 transmit
X10 4	GND	Ground
X10 5	Shield	Cable shield

Table 3-88 RS232 – Pin assignment

RS232 Interface	
Max. input voltage	±30 VDC
Output voltage	typically ±9 V @ 3 kΩ to GND
Max. bit rate	115'200 bit/s
RS232 transceiver	EIA RS232 standard

Table 3-89 RS232 interface specification

3.4.11 CAN Interface / ID Setting

3.4.11.1 Connection

The EPOS4 is specially designed being commanded and controlled via a Controller Area Network (CAN), a highly efficient data bus very common in all fields of automation and motion control. It is preferably used as a slave node in the CANopen network.

Module Header Pin	Compact/CB Connector Pin	Signal	Description
B35	X11 1 X12 1	CAN high	CAN high bus line
B36	X11 2 X12 2	CAN low	CAN low bus line
B37	X11 3 X12 3	GND	Ground
–	X11 4 X12 4	Shield	Cable shield

Table 3-90 CAN bus line / CAN 1 / CAN 2 – Pin assignment

CAN interface		
Standard	ISO 11898-2:2003	
Max. bit rate	1 Mbit/s	
Max. number of CAN nodes	127/31 (via software/hardware setting)	
Protocol	CiA 301 version 4.2.0	
Node-ID setting	Module	By external wiring or software
	Compact CAN	By DIP switch or software

Table 3-91 CAN interface specification



Note

- Consider the CAN master's maximal bit rate.
- The standard bit rate setting (factory setting) is 1 Mbit/s. For connector boards and Compact CAN versions, automatic bit rate detection is set.
- Use 120 Ω termination resistor at both ends of the CAN bus.
- For detailed CAN information → separate document «EPOS4 Communication Guide».

3.4.11.2 Configuration

**Setting the ID is currently available for CAN only!**

The device's identification (subsequently called "ID") can be set by different means:

- For configuration on **Compact** versions → "DIP Switch Configuration (SW1)" on page 3-46.
- For configuration on **Module** versions, the ID is set using the input lines ID1...ID5. The ID (1...31) may be coded using binary code.

Module Header Pin	Signal	Description	Binary Code	Valence
B29	ID 1	CAN ID / DEV ID 1	2 ⁰	1
B30	ID 2	CAN ID / DEV ID 2	2 ¹	2
B31	ID 3	CAN ID / DEV ID 3	2 ²	4
B32	ID 4	CAN ID / DEV ID 4	2 ³	8
B33	ID 5	CAN ID / DEV ID 5	2 ⁴	16
B37	GND	Ground		

Table 3-92 ID – Pin assignment

CAN ID / DEV ID	
Max. input voltage	3.3 VDC
Logic 1	connected to GND
Logic 0	not connected

Table 3-93 CAN ID / DEV ID specification

**Important**

The internal circuit of the ID pins (B29...B33) is based on an analog voltage measurement. Ensure a proper ground connection (0.0 V) when Logic 1 state is intended and a high impedance for Logic 0 state.

Continued on next page.

The set ID can be observed by adding the valences of all inputs connected externally to GND. Use the following table as a (non-concluding) guide:

CAN ID / DEV ID					ID
1	2	3	4	5	
0*	0	0	0	0	–
1**	0	0	0	0	1
0	1	0	0	0	2
0	0	1	0	0	4
1	0	1	0	0	5
0	0	0	1	0	8
0	0	0	0	1	16
1	1	1	1	1	31

0* = ID input line not connected 1** = ID input line externally connected to GND

Table 3-94 ID – Examples



Setting the ID by means of «EPOS Studio»

- The ID may be set by software (changing object 0x2000 «Node-ID», range 1...127).
- The ID set by software is valid if the ID is set to “0” (none of the ID input lines connected).

CAN AUTOMATIC BIT RATE DETECTION

With this function, the CANopen interface can be put in a “listen only” mode. For further details → separate document «EPOS4 Firmware Specification». Automatic bit rate detection is activated when the input line is externally connected to GND.

Bit rate detection	
Auto Bit Rate GND	Pin B34 Pin B38
Max. input voltage	3.3 VDC
Logic 1	connected to GND
Logic 0	not connected

Table 3-95 Bit rate detection specification

3.4.12 Serial Peripheral Interface (SPI)

The SPI is a high-speed synchronous serial input/output port allowing the use of optional maxon extension modules.

**Note**

Do not connect any other signals to the SPI apart from those for the maxon extension modules!

Module Header Pin	Signal	Description
B38	GND	Ground
B41	SPI_CLK	Serial Peripheral Interface clock
B42	SPI_IRQ	Serial Peripheral Interface interrupt request
B43	SPI_SOMI	Serial Peripheral Interface Slave output, Master input
B44	SPI_SIMO	Serial Peripheral Interface Slave input, Master output
B45	SPI_CS2	Serial Peripheral Interface chip select 2
B46	SPI_CS1	Serial Peripheral Interface chip select 1

Table 3-96 SPI – Pin assignment

3.4.13 USB (X13)



Hot plugging the USB interface may cause hardware damage

If the USB interface is being hot-plugged (connecting while the power supply is on), the possibly high potential differences of the two power supplies of controller and PC/Notebook can lead to damaged hardware.

- Avoid potential differences between the power supply of controller and PC/Notebook or, if possible, balance them.
- Insert the USB connector first, then switch on the power supply of the controller.

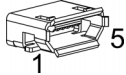


Figure 3-56 USB connector X13

Compact/CB Connector Pin	PC's USB Terminal	Signal	Description
X13 1	1	V _{BUS}	USB bus supply voltage input +5 VDC
X13 2	2	USB_D-	USB Data- (twisted pair with Data+)
X13 3	3	USB_D+	USB Data+ (twisted pair with Data-)
X13 4	–	ID	not connected
X13 5	4	GND	USB ground

Table 3-97 USB connector X13 – Pin assignment

USB Type A - micro B Cable (403968)	
Cross-section	According to USB 2.0 / USB 3.0 specification
Length	1.5 m
Head A	USB Type "micro B", male
Head B	USB Type "A", male

Table 3-98 USB Type A - micro B Cable

USB	
USB Standard	USB 2.0 / USB 3.0 (full speed)
Max. bus supply voltage	+5.25 VDC
Max. DC data input voltage	-0.5...+3.8 VDC

Table 3-99 USB interface specification

3.5 Status Indicators

The EPOS4 features three sets of LED indicators to display the device condition.

- A NET Status;** the LEDs display communication RUN states and errors conditions
- B Device Status;** the LEDs display the device's operation status and error conditions
- C EtherCAT Port;** the LED displays the NET link activity

For detailed information → separate document «EPOS4 Firmware Specification».

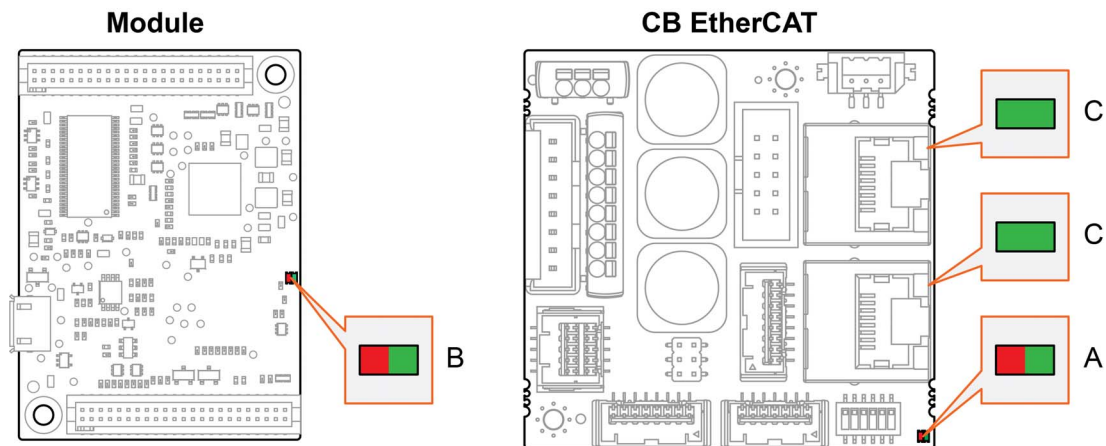


Figure 3-57 LEDs – Location

3.5.1 NET Status

The LEDs (→ Figure 3-57; **A**) display the actual status and possible errors of the EPOS4 in respect to the NET network:

- Green LED shows the RUN state
- Red LED indicates errors

LED		Description
Green	Red	
OFF	—	EPOS4 is in state INIT
Blink	—	EPOS4 is in state PRE-OPERATIONAL
Single flash	—	EPOS4 is in state SAFE-OPERATIONAL
ON	—	EPOS4 is in state OPERATIONAL
Flicker	—	EPOS4 is in state BOOTSTRAP
—	OFF	EPOS4 is in operating condition
—	Double flash	An application watchdog timeout has occurred <i>Example: Timeout of Sync Manager Watchdog</i>
—	Single flash	EPOS4 has changed the COM state due to an internal error <i>Example: Change of state "Op" to "SafeOpError" due to Sync Error</i>
—	Blink	General Configuration Error <i>Example: State change commanded by master is not possible due to actual settings (register, object, hardware configuration)</i>
Blink = continuous blinking (≈2.5 Hz) Flash = flashing (≈0.2 s), followed by pause of 1 s Flicker = continuous flickering (≈10Hz)		

Table 3-100 NET Status LEDs

3.5.2 Device Status

The LEDs (→Figure 3-57; **B**) display the actual status and possible errors of the EPOS4:

- Green LED shows the status
- Red LED indicates errors

LED		Description
Green	Red	
Slow	OFF	Power stage is disabled. The EPOS4 is in status... • “Switch ON Disabled” • “Ready to Switch ON” • “Switched ON”
ON	OFF	Power stage is enabled. The EPOS4 is in status... • “Operation Enable” • “Quick Stop Active”
OFF	ON	FAULT state. The EPOS4 is in status... • “Fault”
ON	ON	Power stage is enabled. The EPOS4 is in temporary status... • “Fault Reaction Active”
Flash	ON	No valid firmware or firmware download in progress
Flash = flashing (≈0.9 s OFF/≈0.1 s ON) Slow = slow blinking (≈1 Hz)		

Table 3-101 Device Status LEDs

3.5.3 EtherCAT Port

The LED (→Figure 3-57; **C**) displays the link activity of the EtherCAT port (applies for both ports, X14 “IN” and X15 “OUT”):

- Green LED indicates link activity

LED	Description
Green	
OFF	Port is closed
Flicker	Port is open / activity is present
ON	Port is open
—	Data rate is 100 Mbit/s
Flicker = continuous flickering (≈10 Hz)	

Table 3-102 EtherCAT Port LED

4 MOTHERBOARD DESIGN GUIDE

The «Motherboard Design Guide» provides helpful information on integrating the Module on a printed circuit board. It contains recommendations for the motherboard layout and specifies external components that may be required, pin assignments, and connection examples.



CAUTION

Dangerous Action

Errors in implementing the design can result in serious Injury!

- *Only proceed if you are skilled in electronics design!*
- *Designing a printed circuit board requires special skills and knowledge and may only be performed by experienced electronic developers!*
- *This quick guide is only intended as an aid, does not make any claim to completeness, and will not automatically result in a functional component!*



Get help

*If you are not trained in the design and development of printed circuit boards, you will need additional support for this point.
maxon will be happy to provide you with a quote for designing and manufacturing a motherboard for your specific application.*

4.1 Requirements for Components of Third-party Suppliers



Best practice

For references and recommended components consult →Table 4-103.

4.1.1 Socket Headers

For implementation of the Module, 1.27 mm box headers are required.

4.1.2 Supply Voltage

To protect the Module, we recommend using an external circuit breaker, a TVS diode, and a capacitor in the voltage supply cable. In this regard, please note the following recommendations:

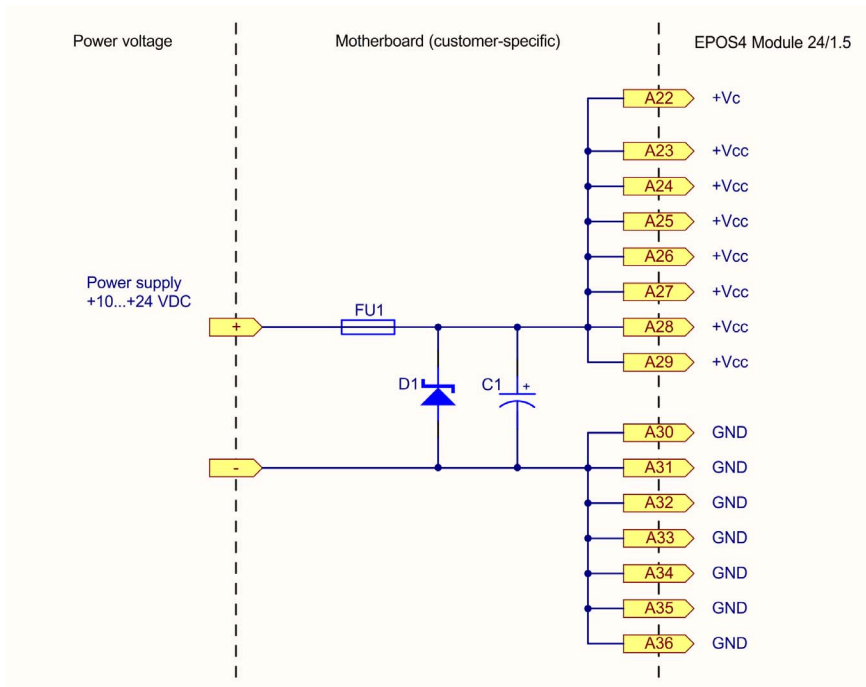


Figure 4-58 Wiring of power supply

INPUT FUSE (FU1)

An input fuse (FU1) is necessary in order to provide reverse polarity protection. Together with an unipolar TVS diode (D1), this prevents current from flowing in the wrong direction.

TVS DIODE (D1)

To protect against overvoltage resulting from voltage transients or brake energy feedback, we recommend connecting a TVS (transient voltage suppressor) diode (D1) to the voltage supply line.

CAPACITOR (C1)

The function of the Module does not necessarily require the use of an external capacitor. Nevertheless, to further reduce voltage ripple and feedback currents, an electrolytic capacitor (C1) can be connected to the voltage supply line. Use of an electrolytic capacitor is also recommended to avoid oscillations caused by supply cable inductance or Module's built-in capacitors that could lead to a voltage overshoot at power plug-in.

4.1.3 Logic Supply Voltage

The Module features a logic supply voltage input. Its voltage range is 10...24 V and must be either sourced separately or by the power supply voltage.

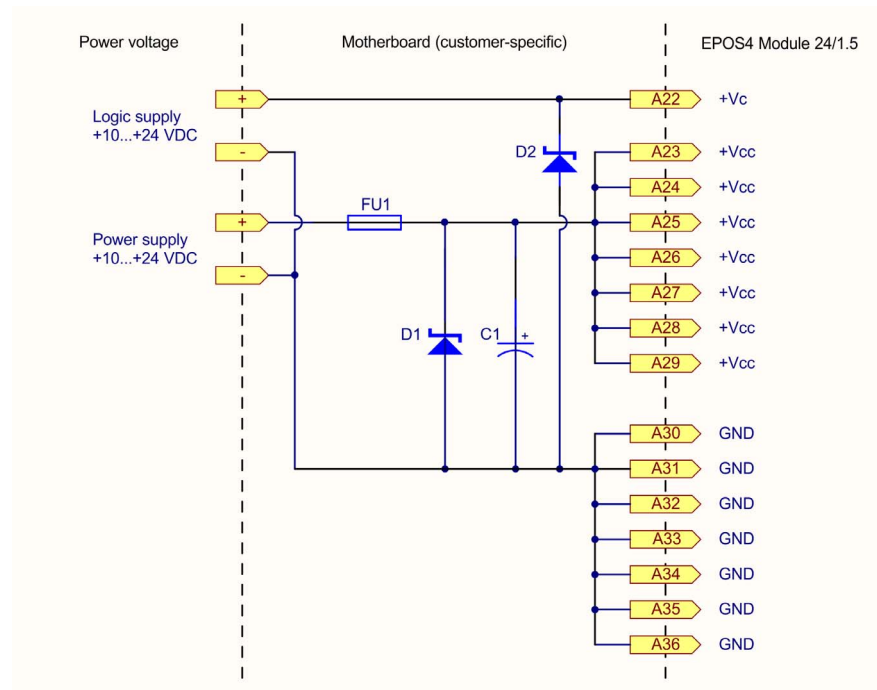


Figure 4-59 Wiring of logic supply

TVS DIODE (D2)

If the logic supply voltage is sourced separately, a transient voltage suppressor diode (D2) at the logic supply voltage input can be connected to protect the module against overvoltage.

4.1.4 Motor Cables and Motor Chokes

The Module is not equipped with internal motor chokes.

The majority of motors and applications do not require additional chokes. However, in case of high supply voltage with very low terminal inductance, the ripple of the motor current can reach an unacceptably high value. This causes the motor to heat up unnecessarily and causes instable control behavior. The minimum terminal inductance required per phase can be calculated using the following formula:

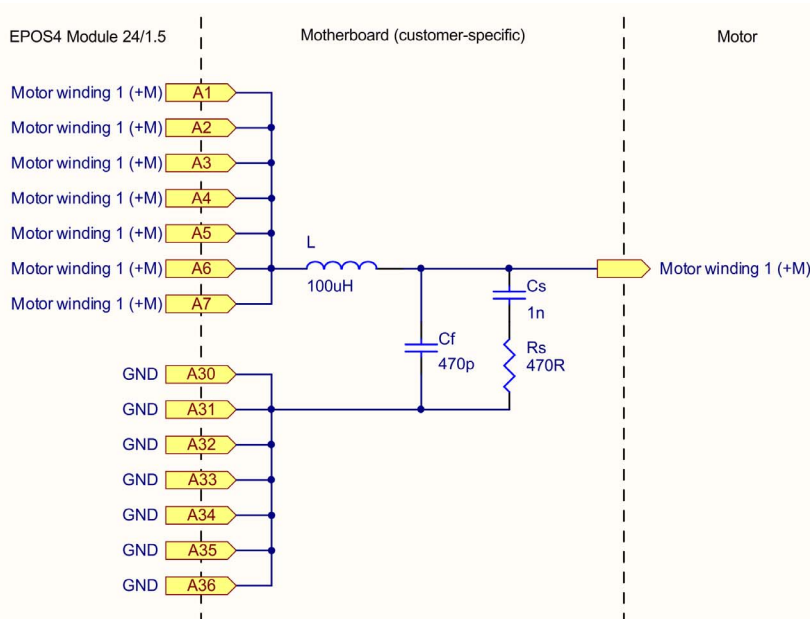
$$L_{Phase} \geq \frac{1}{2} \cdot \left(\frac{V_{CC}}{6 \cdot f_{PWM} \cdot I_N} - (0.3 \cdot L_{Motor}) \right)$$

$L_{Phase}[H]$	Additional external inductance per phase
$V_{CC}[V]$	Operating voltage +V _{CC}
$f_{PWM}[Hz]$	Switching frequency of the power stage = 100'000 Hz
$I_N[A]$	Nominal current of the motor (→line 6 in the maxon catalog)
$L_{Motor}[H]$	Terminal inductance of the motor (→line 11 in the maxon catalog)

If the result of the calculation is negative, no additional chokes are necessary. Nevertheless, the use of chokes in combination with additional filter components can be useful to reduce the emission of electromagnetic interference.

An additional choke must feature electromagnetic shielding, an adequate saturation current, minimal losses, and a nominal current greater than the continuous current of the motor. The below wiring example refers to an additional inductance of 100 µH or 10 µH. If a different additional inductance is required, also the filter components must be adapted accordingly. Should you need further help with the filter design, contact maxon Support at →<http://support.maxongroup.com>.

Example 1



Example 2

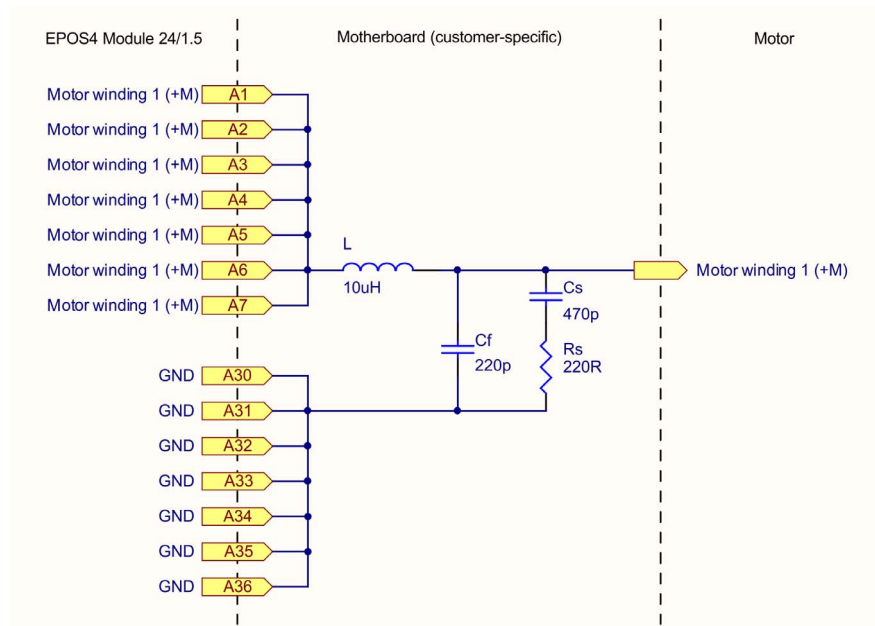


Figure 4-60 Wiring of motor winding 1 (analogously valid also for motor windings 2 & 3)

4.1.5 RS232 Transceiver

If you intend to use an RS232 interface, an external transceiver is necessary.

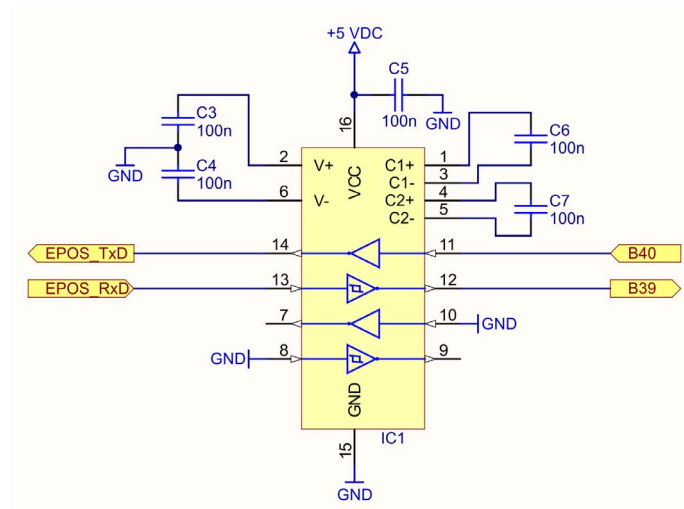


Figure 4-61 Wiring of RS232 transceiver



IMPORTANT

If you do not intend to use the RS232 interface, you must connect pin [B39] (DSP_RxD) with pin [A40] (sensor supply voltage V_{Sensor})!

4.1.6 Recommended Components and Manufacturers

Recommended components	
Socket header	<p>Dual row socket strip, pluggable, 1.27 mm pitch, contact length 2.9 mm, current rating per pin = $I_{cont} / 1 A$</p> <p>23 poles, 2 rows:</p> <ul style="list-style-type: none"> maxon (590738) E-Tec (BS2-046-H45B-55/11) Conflectronic / Elcotron (2243-A46G00DPT-M/U842)
Fuse (FU1)	<ul style="list-style-type: none"> Littelfuse 157 Series, Fuse 6.3 A, 9.17 A²sec (015706.3)
TVS Diode (D1; D2)	<ul style="list-style-type: none"> Vishay (SMBJ30A) $U_R = 30 V, U_{BR} = 33.3...36.8 V @ 1 mA, U_C = 48.4 V @ 12.4 A$ Littelfuse (SMBJ30A) $U_R = 30 V, U_{BR} = 33.3...36.8 V @ 1 mA, U_C = 48.4 V @ 12.4 A$
Capacitor (C1)	<p>The ripple current load for C1 depends on the motor's operating point and the power supply output capacity. Under worst case conditions however, the ripple current may reach $I_{cont} / 2$. Use capacitors with rated voltage $\geq 35 V$ and adequate ripple current to avoid overheat or life time reduction.</p> <p>Example for C1 worst-case dimensioning: $I_{cont} = 1.5 A \rightarrow$ Rubycon (35YXJ330M10X12.5); 330 μF, 35 V, 865 mA r.m.s., $\varnothing \times L$ 10 x 14 mm</p>
Motor Choke (L)	<p>Inductance: \rightarrow "Motor Cables and Motor Chokes" on page 4-88 Rated current: $I_{rms} \geq I_{cont}; I_{sat} \geq I_{peak}$ Construction: shielded</p> <p>100 μH:</p> <ul style="list-style-type: none"> Eaton (35YXJ330M10X12.5) $I_{rms} 1.96 A, I_{sat} 3.64 A, 12.5 \times 12.5 \times 8 mm$ Würth (7447709101) $I_{rms} 2.5 A, I_{sat} 3.1 A, 12 \times 12 \times 10 mm$ <p>10 μH:</p> <ul style="list-style-type: none"> Bourns (SRN5040-100M) $I_{rms} 2.1 A, I_{sat} 2.3 A, 5 \times 5 \times 4 mm$ Würth (74404054100) $I_{rms} 3.1 A, I_{sat} 2.5 A, 5 \times 5 \times 4 mm$
Motor Filter	<p>Example 1</p> <ul style="list-style-type: none"> Motor Choke L 100 μH Filter Capacitor Cf 470 pF, 100 V Snubber Capacitor Cs 1 nF, 100 V Snubber Resistor Rs 470 Ω, 0.125 W <p>Example 2</p> <ul style="list-style-type: none"> Motor Choke L 10 μH Filter Capacitor Cf 220 pF, 100 V Snubber Capacitor Cs 470 pF, 100 V Snubber Resistor Rs 220 Ω, 0.25 W
RS232 (IC1) (C3...C7)	<p>RS232 transceiver (IC1)</p> <ul style="list-style-type: none"> Texas Instruments (MAX202IPW) ST Microelectronics (ST202EBTR) <p>Capacitors (C3...C7)</p> <ul style="list-style-type: none"> 100 nF, X7R, 16 V

Table 4-103 Motherboard Design Guide – Recommended components

4.2 Design Guidelines

The following instructions are intended to serve as an aid when designing an application-specific motherboard and ensures the correct and reliable integration of the Module.

While designing a motherboard, consider the following characteristics of the Module:

- Pin assignment (→page 3-22)
- Technical data (→page 2-11) and dimensional drawing (→page 2-16)

4.2.1 Ground

All ground connections (GND) should be internally connected to the Module (equal potential). It is customary to equip the motherboard with a ground plane. All ground connections should be connected to the voltage supply ground via wide conductive tracks.

Pin	Signal	Description
A30...A36	GND	Ground
B16	GND	Ground
B37...B38	GND	Ground

Table 4-104 Motherboard Design Guide – Grounding

If an earth potential is in place or required, the ground plane should be connected to the earth potential via one or more capacitors. The use of ceramic capacitors with 100 nF and 100 V is recommended.

4.2.2 Layout

Guidelines for the layout of the motherboard:

- Connector pins [A23], [A24], [A25], [A26], [A27], [A28], and [A29] for +V_{CC} (nominal power supply voltage) should be connected to the fuse via wide conductive tracks.
- Connector pins [A30], [A31], [A32], [A33], [A34], [A35], [A36], [B16], [B37], and [B38] for GND (ground) should be connected with the operating voltage ground via wide conductive tracks.
- Connector pin [B39] (DSP_RxD) must be connected to [A40] (sensor supply voltage; V_{Sensor}) when RS232 is not in use.
- The width of the conductive tracks and the copper coating thickness of the conductors for supply voltage and motor depend on the current required in your application. A minimum track width of 75 mil and a minimum copper coating thickness of 35 μm are recommended.

4.3 SMT Footprint

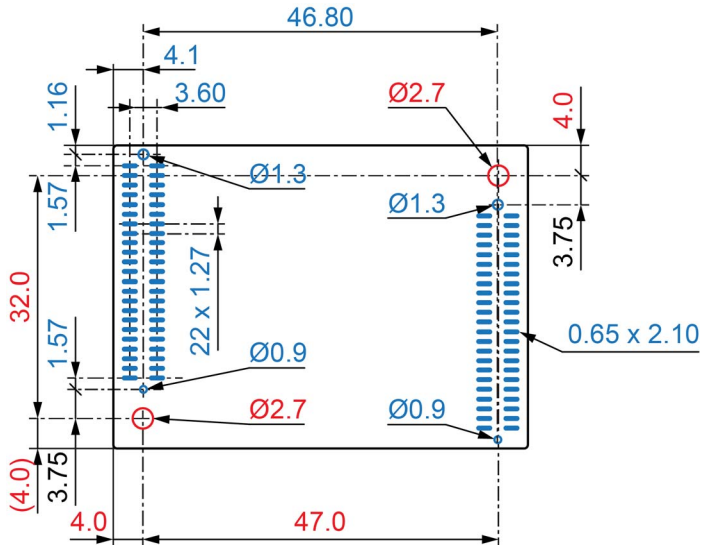


Figure 4-62 SMT footprint [mm] – Top view

5 WIRING

In this section you will find the wiring information for the setup you are using. You can either use the consolidated wiring diagrams (→Figure 5-64 and Figure 5-65) featuring the full scope of interconnectivity and pin assignment. Or you may wish to use the connection overviews for either DC motor or EC (BLDC) motor that will assist you in determining the wiring for your particular motor type and the appropriate feedback signals.

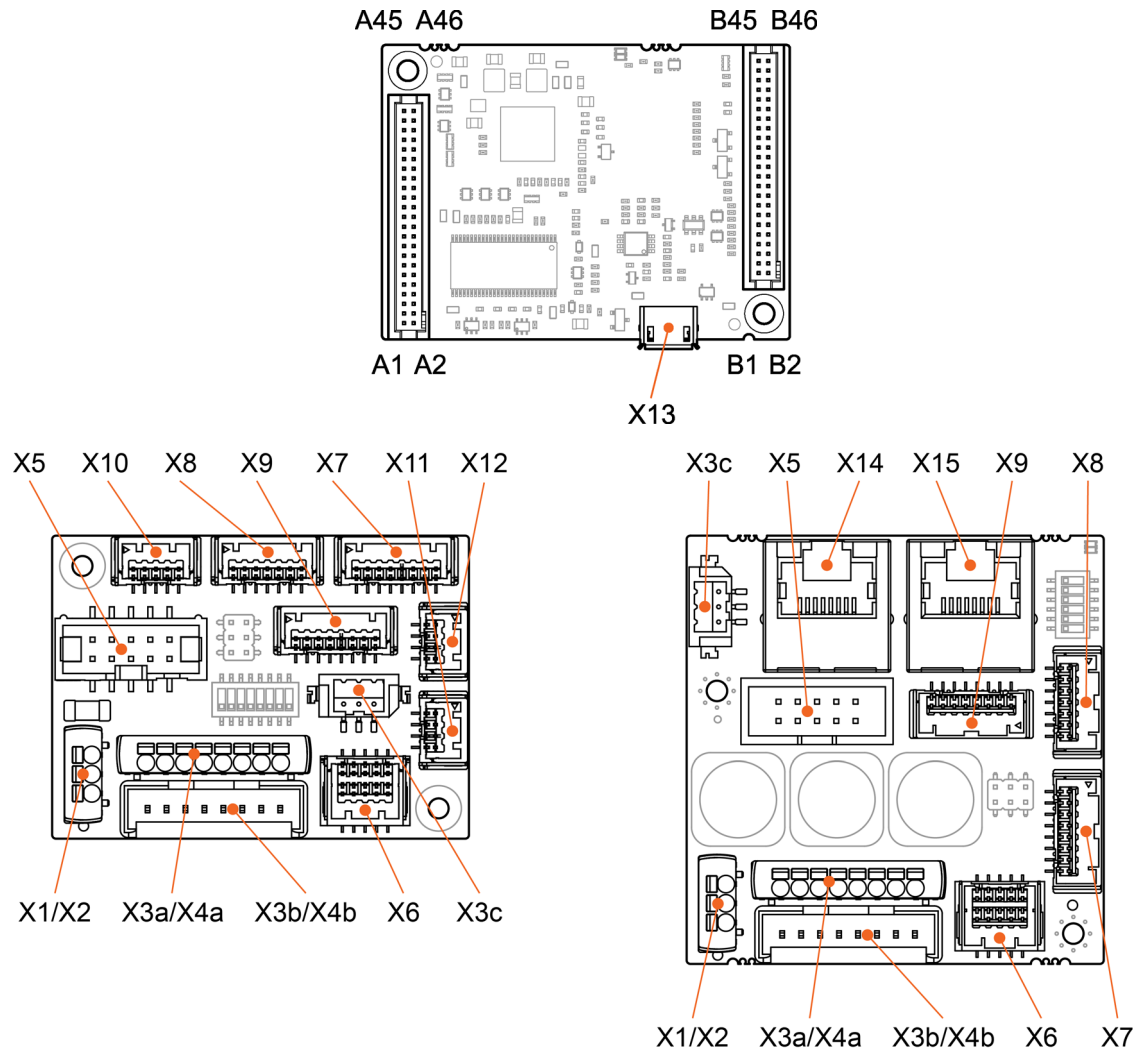
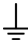


Figure 5-63 Interfaces – Designations and location



Signs and abbreviations used

The subsequent diagrams feature these signs and abbreviations:

- «EC Motor» stands for brushless EC motor (BLDC).
-  Ground safety earth connection (optional).



Connection of DC motor with integrated motor/encoder ribbon cable

If you are using a maxon DC motor with integrated motor/encoder ribbon cable, you will need to set the jumper JP1 accordingly in order to activate that option (→chapter “3.3.8 Jumper Configuration (JP1)” on page 3-49).

5.1 Possible Combinations to connect a Motor

The following tables show feasible ways on how to connect the motor with its respective feedback signals or possible combinations thereof. To find the wiring that best suits your setup, proceed as follows:

- 1) Decide on the type of motor you are using; either DC or EC (BLDC) motor.
- 2) Connect the power supply and the logic supply by following the link to the stated figure.
- 3) Check-out the listing for the combination that best suits your setup. Pick the wiring method # and go to the respective table; for DC motor → Table 5-105, for EC (BLDC) motor → Table 5-106.
- 4) Pick the row with the corresponding wiring method # and follow the link (or links) to the stated figure(s) to find the relevant wiring information.

5.1.1 DC Motor

Power supply & optional logic supply Figure 5-66

Motor & feedback signals

Without sensor Method # DC1
 Digital incremental encoder Method # DC2 or DC3
 Analog incremental encoder SinCos Method # DC4
 SSI absolute encoder Method # DC5
 Digital incremental encoder & Digital incremental encoder Method # DC6
 Digital incremental encoder & Analog incremental encoder SinCos Method # DC7
 Digital incremental encoder & SSI absolute encoder Method # DC8

Method #	Digital Incremental Encoder 1 (Sensor 1) X5	Digital Incremental Encoder 2 (Sensor 2) X6	Analog Incremental Encoder (Sensor 2) X6	SSI Absolute Encoder (Sensor 2) X6	→ Figure(s)
DC1					5-67
DC2	✓				5-67 5-70
DC3		✓			5-67 5-71
DC4			✓		5-67 5-72
DC5				✓	5-67 5-73
DC6	✓	✓			5-67 5-70 / 5-71
DC7	✓		✓		5-67 5-70 / 5-72
DC8	✓			✓	5-67 5-70 / 5-73

Table 5-105 Possible combinations of feedback signals for DC motor

5.1.2 EC (BLDC) Motor

Power supply & optional logic supply Figure 5-66

Motor & feedback signals

- Hall sensors Method # EC1
- Hall sensors & Digital incremental encoder Method # EC2 or EC3
- Hall sensors & Analog incremental encoder SinCos Method # EC4
- Hall sensors & SSI absolute encoder Method # EC5
- Hall sensors & Digital incremental encoder & Digital incremental encoder Method # EC6
- Hall sensors & Digital incremental encoder & Analog incremental encoder SinCos Method # EC7
- Hall sensors & Digital encoder & SSI absolute encoder Method # EC8
- Digital incremental encoder & SSI absolute encoder Method # EC9
- SSI absolute encoder Method # EC10

Method #	Hall sensors (Sensor 3) X4	Digital Incremental Encoder 1 (Sensor 1) X5	Digital Incremental Encoder 2 (Sensor 2) X6	Analog Incremental Encoder (Sensor 2) X6	SSI Absolute Encoder (Sensor 2) X6	➔ Figure(s)
EC1	✓					5-68 5-69
EC2	✓	✓				5-68 5-69 / 5-70
EC3	✓		✓			5-68 5-69 / 5-71
EC4	✓			✓		5-68 5-69 / 5-72
EC5	✓				✓	5-68 5-69 / 5-73
EC6	✓	✓	✓			5-68 5-69 / 5-70 / 5-71
EC7	✓	✓		✓		5-68 5-69 / 5-70 / 5-72
EC8	✓	✓			✓	5-68 5-69 / 5-70 / 5-73
EC9		✓			✓	5-68 5-70 / 5-73
EC10					✓	5-68 5-73

Table 5-106 Possible combinations of feedback signals for EC (BLDC) motor

5.2 Main Wiring Diagrams

5.2.1 Module & Compact CAN

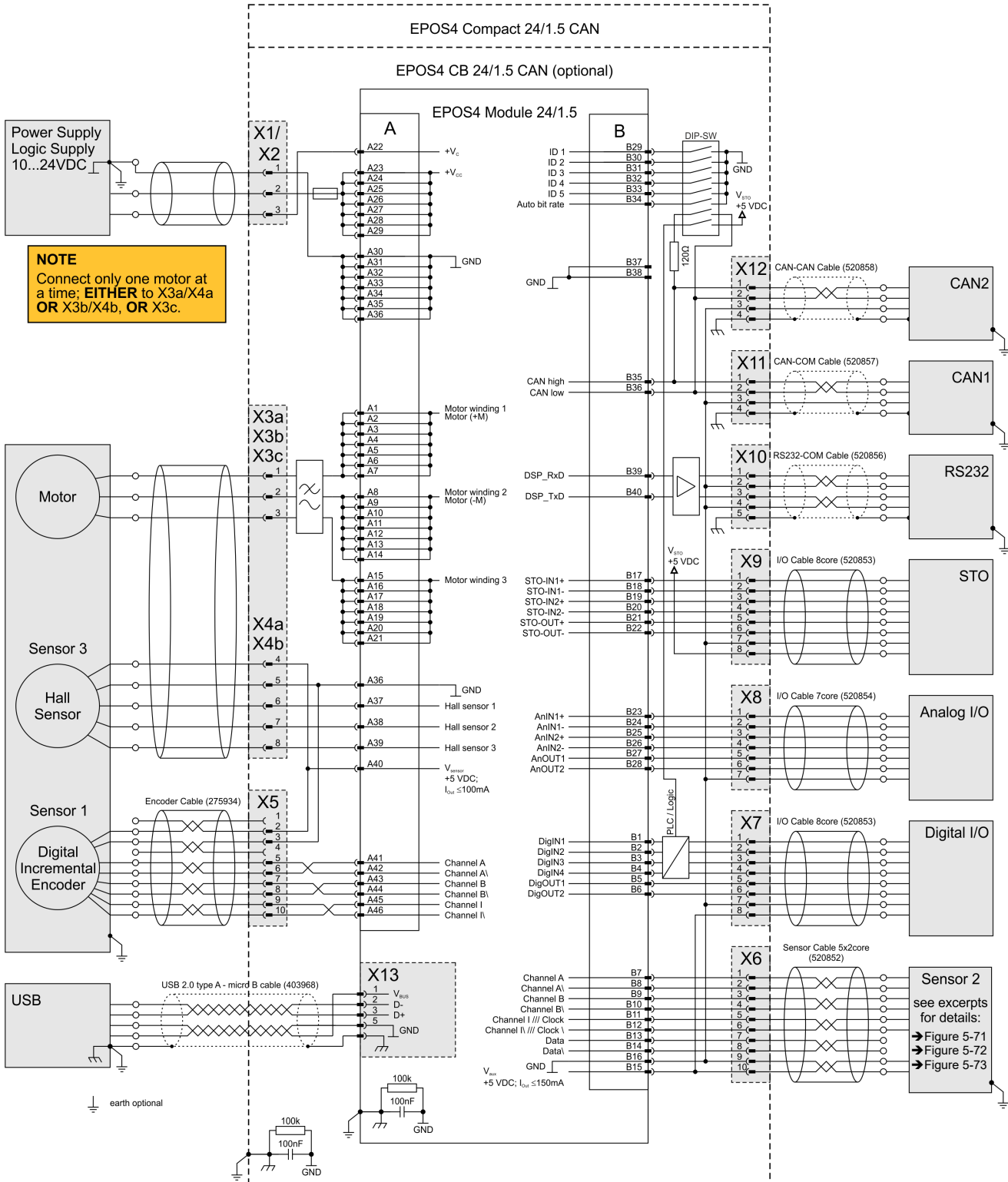


Figure 5-64 Main wiring diagram – Module & Compact CAN

5.2.2 Module & Compact EtherCAT

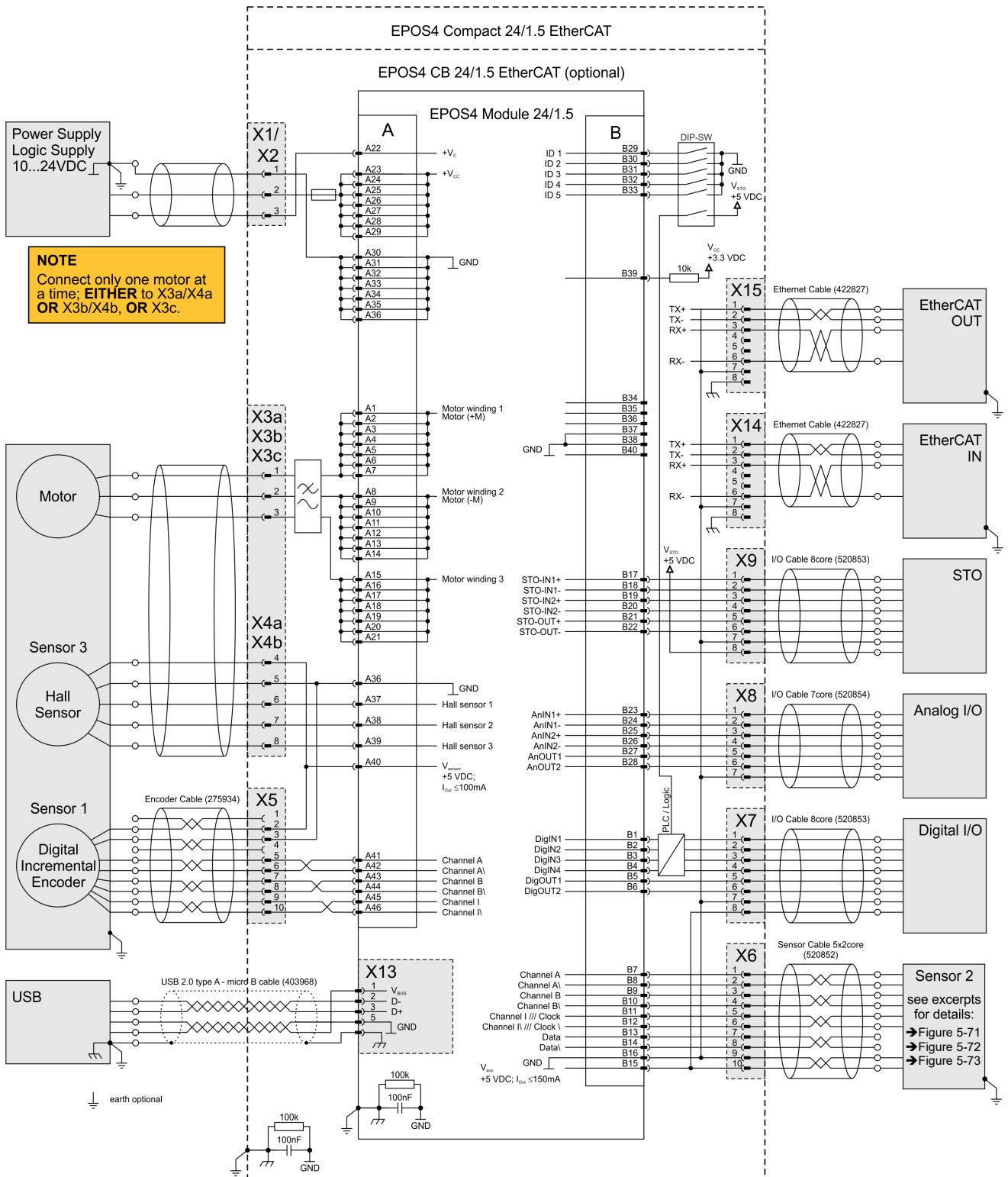


Figure 5-65 Main wiring diagram – Module & Compact EtherCAT

5.3 Excerpts

5.3.1 Power & Logic Supply

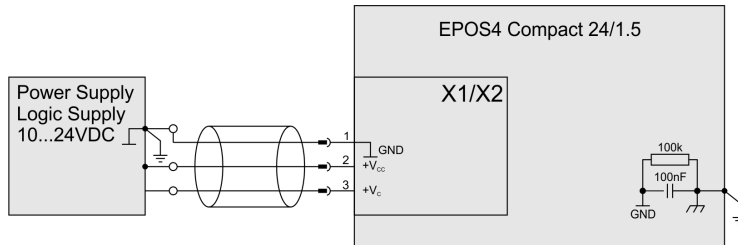


Figure 5-66 Power & logic supply

5.3.2 DC Motor

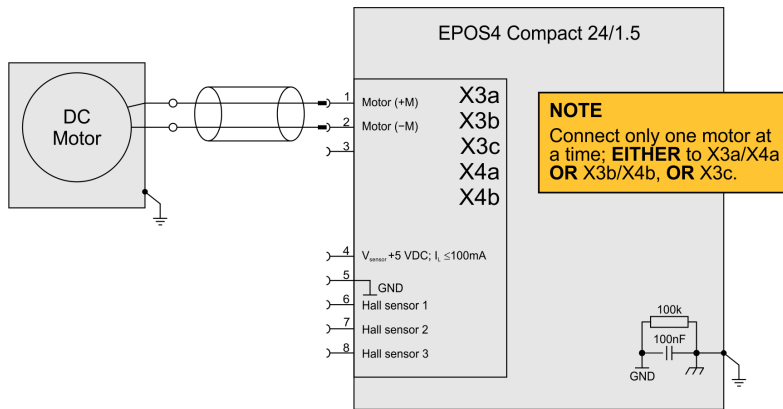


Figure 5-67 DC motor

5.3.3 EC (BLDC) Motor

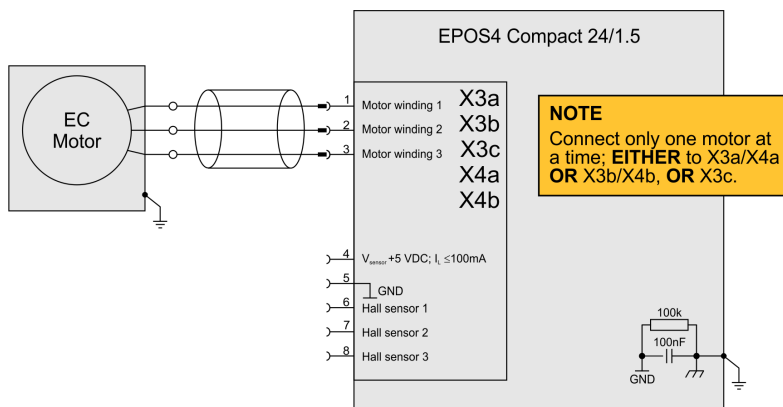


Figure 5-68 EC (BLDC) motor

5.3.4 Hall Sensors (Sensor 3)

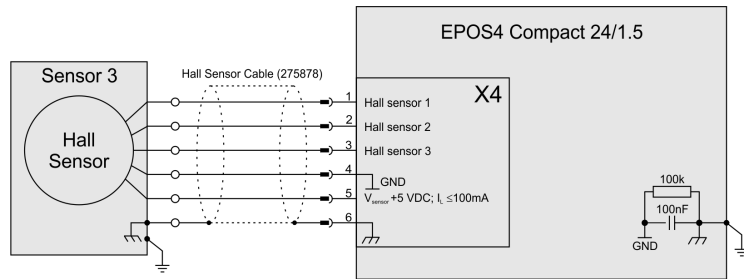


Figure 5-69 Hall sensors (Sensor 3)

5.3.5 Digital Incremental Encoder 1 (Sensor 1)

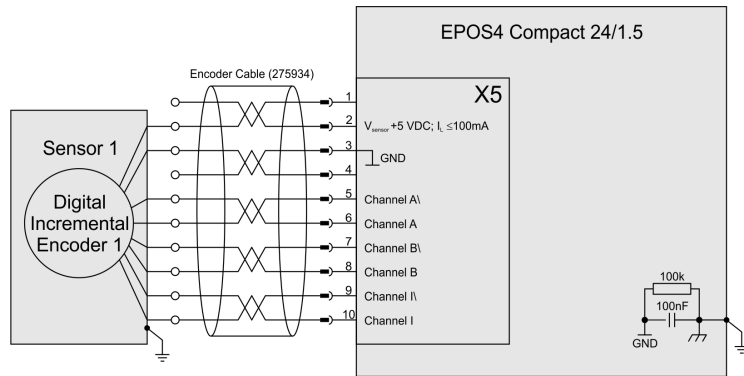


Figure 5-70 Digital incremental encoder 1 (Sensor 1)

5.3.6 Digital Incremental Encoder 2 (Sensor 2)

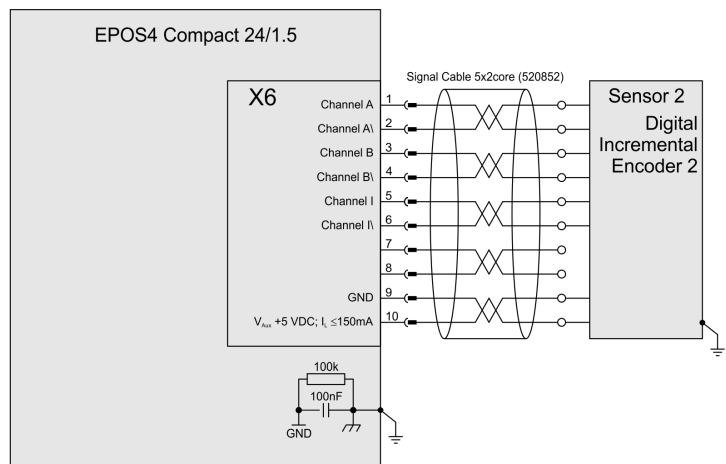


Figure 5-71 Digital incremental encoder 2 (Sensor 2)

5.3.7 Analog incremental encoder SinCos (Sensor 2)

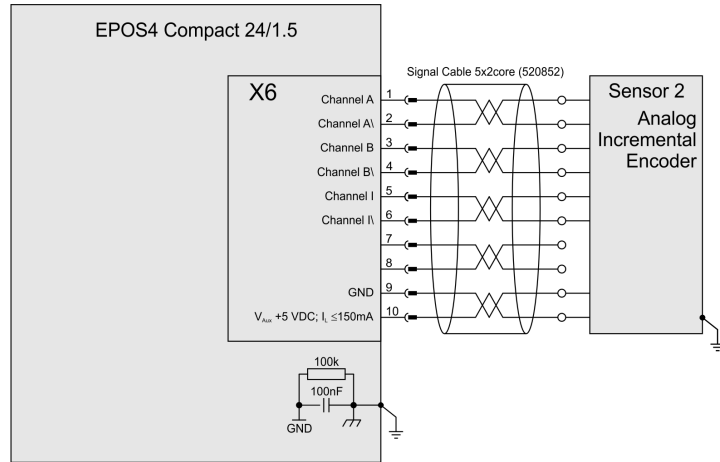


Figure 5-72 Analog incremental encoder (Sensor 2)

5.3.8 SSI Encoder (Sensor 2)

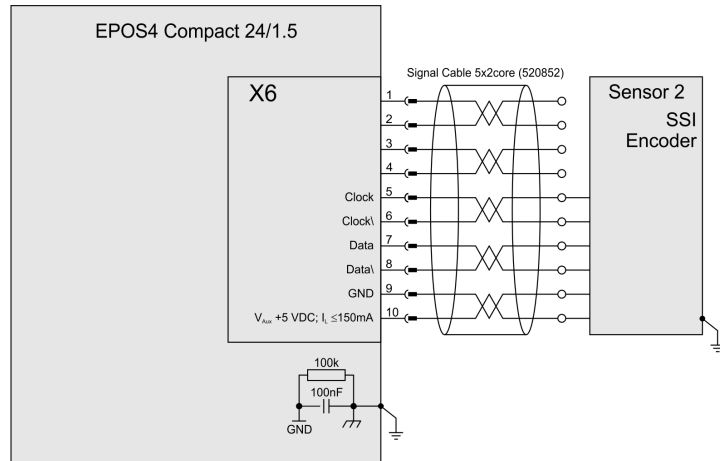


Figure 5-73 SSI encoder (Sensor 2)

LIST OF FIGURES

Figure 1-1	Documentation structure	5
Figure 1-2	Configuration overview	8
Figure 2-3	Derating of output current	14
Figure 2-4	Power dissipation and efficiency – EPOS4 Compact 24/1.5 CAN	15
Figure 2-5	Power dissipation and efficiency – EPOS4 Compact 24/1.5 EtherCAT	15
Figure 2-6	EPOS4 Module 24/1.5 – Dimensional drawing [mm]	16
Figure 2-7	EPOS4 CB 24/1.5 CAN – Dimensional drawing [mm]	17
Figure 2-8	EPOS4 Compact 24/1.5 CAN – Dimensional drawing [mm]	17
Figure 2-9	EPOS4 CB 24/1.5 EtherCAT – Dimensional drawing [mm]	18
Figure 2-10	EPOS4 Compact 24/1.5 EtherCAT – Dimensional drawing [mm]	18
Figure 3-11	Pin assignment	22
Figure 3-12	EPOS4 CB 24/1.5 CAN (left) / EPOS4 Compact 24/1.5 CAN (right)	25
Figure 3-13	EPOS4 CB 24/1.5 EtherCAT (left) / EPOS4 Compact 24/1.5 EtherCAT (right)	25
Figure 3-14	Connector Boards – Connectors	28
Figure 3-15	Power & logic supply connector X1/X2	29
Figure 3-16	Motor & Hall sensors connectors X3a/X4a (left) and X3b/X4b (right)	30
Figure 3-17	Motor connector X3c	32
Figure 3-18	Encoder connector X5	33
Figure 3-19	Sensor connector X6	35
Figure 3-20	Digital I/O connector X7	37
Figure 3-21	Analog I/O connector X8	38
Figure 3-22	STO connector X9	39
Figure 3-23	RS232 connector X10	40
Figure 3-24	CAN 1 connector X11/CAN 2 connector X12	41
Figure 3-25	EtherCAT IN & EtherCAT OUT connectors X14 & X15	42
Figure 3-26	Adapter BLACK FPC11poles	44
Figure 3-27	Adapter BLUE FPC8poles	45
Figure 3-28	Adapter GREEN FPC8poles	45
Figure 3-29	DIP switch SW1	46
Figure 3-30	Jumper JP1	49
Figure 3-31	Hall sensor 1 input circuit (analogously valid for Hall sensors 2 & 3)	53
Figure 3-32	Encoder input circuit Ch A “differential” (analogously valid for Ch B & Ch I)	55
Figure 3-33	Encoder input circuit Ch A “single-ended” (analogously valid for Ch B & Ch I)	56
Figure 3-34	Digital incremental encoder input circuit Ch A “differential” (analogously valid for Ch B)	58
Figure 3-35	Digital incremental encoder input circuit Ch I	58
Figure 3-36	Digital incremental encoder input circuit Ch A “single-ended” (analogously valid for Ch B)	59
Figure 3-37	Digital incremental encoder input circuit Ch I	60
Figure 3-38	Analog incremental encoder input circuit Ch A “differential” (analogously valid for Ch B)	61
Figure 3-39	Analog incremental encoder input circuit Ch I (digital evaluation)	62
Figure 3-40	SSI absolute encoder data input	63
Figure 3-41	SSI absolute encoder clock output	64

Figure 3-42	HsDigIN1 circuit “differential” (analogously valid for HsDigIN2...4)	65
Figure 3-43	HsDigIN1 circuit “single-ended” (analogously valid for HsDigIN2...4)	66
Figure 3-44	HsDigOUT1 output circuit	67
Figure 3-45	DigIN1 circuit (analogously valid for DigIN2...4) – Module	68
Figure 3-46	DigIN1 circuit (analogously valid for DigIN2...4) – Compact / Logic level setting	69
Figure 3-47	DigIN1 circuit (analogously valid for DigIN2...4) – Compact / PLC level setting	70
Figure 3-48	DigOUT1 circuit (analogously valid for DigOUT2 and Compact)	70
Figure 3-49	DigOUT1 “sinks” (analogously valid for DigOUT2 and Compact)	71
Figure 3-50	DigOUT1 “source” (analogously valid for DigOUT2 and Compact)	71
Figure 3-51	STO-IN1 circuit (analogously valid for STO-IN2)	73
Figure 3-52	STO-OUT circuit	73
Figure 3-53	AnIN1 circuit (analogously valid for AnIN2)	74
Figure 3-54	AnOUT1 circuit (analogously valid for AnOUT2)	75
Figure 3-55	SCI circuit	76
Figure 3-56	USB connector X13	82
Figure 3-57	LEDs – Location	83
Figure 4-58	Wiring of power supply	86
Figure 4-59	Wiring of logic supply	87
Figure 4-60	Wiring of motor winding 1 (analogously valid also for motor windings 2 & 3)	89
Figure 4-61	Wiring of RS232 transceiver	89
Figure 4-62	SMT footprint [mm] – Top view	92
Figure 5-63	Interfaces – Designations and location	93
Figure 5-64	Main wiring diagram – Module & Compact CAN	96
Figure 5-65	Main wiring diagram – Module & Compact EtherCAT	97
Figure 5-66	Power & logic supply	98
Figure 5-67	DC motor	98
Figure 5-68	EC (BLDC) motor	98
Figure 5-69	Hall sensors (Sensor 3)	99
Figure 5-70	Digital incremental encoder 1 (Sensor 1)	99
Figure 5-71	Digital incremental encoder 2 (Sensor 2)	99
Figure 5-72	Analog incremental encoder (Sensor 2)	100
Figure 5-73	SSI encoder (Sensor 2)	100

LIST OF TABLES

Table 1-1	Notation used	6
Table 1-2	Symbols and signs	6
Table 1-3	Brand names and trademark owners	7
Table 1-4	Abbreviations.	9
Table 2-5	Technical data	13
Table 2-6	Limitations	15
Table 2-7	Standards	19
Table 3-8	Pin assignment A1...A46 (X1...X5).	22
Table 3-9	Pin assignment B1...B46 (X6...X12).	24
Table 3-10	Prefab maxon cables.	26
Table 3-11	EPOS4 Connector Set – Content	27
Table 3-12	Recommended tools	27
Table 3-13	Power & logic supply connector X1/X2 – Pin assignment.	29
Table 3-14	Power & logic supply connector X1/X2 – Specification and accessories	29
Table 3-15	Motor & Hall sensors connectors X3a/X4a / X3b/X4b – Pin assignment for maxon DC motor.	30
Table 3-16	Motor & Hall sensors connectors X3a/X4a / X3b/X4b – Pin assignment for maxon EC motor.	30
Table 3-17	Motor & Hall sensors connector X3a/X4a – Specification and accessories	31
Table 3-18	Motor & Hall sensors connector X3b/X4b – Specification and accessories	31
Table 3-19	Motor connector X3c – Pin assignment.	32
Table 3-20	Motor connector X3c – Specification and accessories	32
Table 3-21	Encoder connector X5 – Pin assignment	33
Table 3-22	Encoder connector X5 – Accessories	33
Table 3-23	Encoder Cable.	34
Table 3-24	Sensor connector X6 – Pin assignment	35
Table 3-25	Sensor Cable 5x2core.	36
Table 3-26	Digital I/O connector X7 – Pin assignment	37
Table 3-27	Signal Cable 8core	37
Table 3-28	Analog I/O connector X8 – Pin assignment.	38
Table 3-29	Signal Cable 7core	38
Table 3-30	STO connector X9 – Pin assignment	39
Table 3-31	STO Idle Connector.	39
Table 3-32	RS232 connector X10 – Pin assignment.	40
Table 3-33	RS232-COM Cable	40
Table 3-34	CAN 1 connector X11/CAN 2 connector X12 – Pin assignment	41
Table 3-35	CAN-COM Cable.	41
Table 3-36	CAN-CAN Cable	41
Table 3-37	EtherCAT IN & EtherCAT OUT connectors X14 & X15 – Pin assignment	42
Table 3-38	Ethernet Cable	43
Table 3-39	Adapters for Flexprint cables.	44
Table 3-40	Adapter BLACK FPC11poles – Pin assignment	44
Table 3-41	Adapter BLUE FPC8poles – Pin assignment	45

Table 3-42	Adapter GREEN FPC8poles – Pin assignment	45
Table 3-43	DIP switch SW1 – Binary code values	46
Table 3-44	DIP switch SW1 – Examples	47
Table 3-45	DIP switch SW1 – CAN automatic bit rate detection	48
Table 3-46	DIP switch SW1 – CAN bus termination.	48
Table 3-47	DIP switch SW1 – Digital input level.	48
Table 3-48	Jumper JP1 – Power supply for DC motor winding	49
Table 3-49	Spare parts list	49
Table 3-50	Power supply – Pin assignment	50
Table 3-51	Power supply requirements	50
Table 3-52	Logic supply – Pin assignment	51
Table 3-53	Logic supply requirements	51
Table 3-54	DC motor – Pin assignment	52
Table 3-55	EC motor – Pin assignment	52
Table 3-56	Hall sensor – Pin assignment.	53
Table 3-57	Hall sensor specification	53
Table 3-58	Encoder – Pin assignment	54
Table 3-59	Differential encoder specification	55
Table 3-60	Single-ended encoder specification	56
Table 3-61	Incremental encoder – Pin assignment	57
Table 3-62	Differential digital incremental encoder specification	57
Table 3-63	Single-ended digital incremental encoder specification	59
Table 3-64	Differential analog incremental encoder specification	61
Table 3-65	SSI absolute encoder – Pin assignment.	63
Table 3-66	SSI absolute encoder specification	63
Table 3-67	High-speed digital I/Os – Pin assignment.	65
Table 3-68	Differential high-speed digital input specification	65
Table 3-69	Single-ended high-speed digital input specification	66
Table 3-70	High-speed digital output specification	67
Table 3-71	Digital I/Os – Pin assignment – Module	68
Table 3-72	Digital input specification	68
Table 3-73	Digital I/Os – Pin assignment – Compact	69
Table 3-74	Digital input specification – Logic level setting	69
Table 3-75	Digital input specification – PLC level setting.	70
Table 3-76	Digital output specification	70
Table 3-77	Digital output – Sinks	71
Table 3-78	Digital output – Source	71
Table 3-79	STO I/Os – Pin assignment	72
Table 3-80	STO input specification.	72
Table 3-81	STO output specification	73
Table 3-82	STO logic state	73
Table 3-83	Analog I/Os – Pin assignment	74
Table 3-84	Analog input specification.	74
Table 3-85	Analog output specification.	75

Table 3-86	SCI – Pin assignment	76
Table 3-87	SCI specification	76
Table 3-88	RS232 – Pin assignment.	77
Table 3-89	RS232 interface specification	77
Table 3-90	CAN bus line / CAN 1 / CAN 2 – Pin assignment	78
Table 3-91	CAN interface specification	78
Table 3-92	ID – Pin assignment	79
Table 3-93	CAN ID / DEV ID specification	79
Table 3-94	ID – Examples	80
Table 3-95	Bit rate detection specification.	80
Table 3-96	SPI – Pin assignment	81
Table 3-97	USB connector X13 – Pin assignment	82
Table 3-98	USB Type A - micro B Cable.	82
Table 3-99	USB interface specification	82
Table 3-100	NET Status LEDs	83
Table 3-101	Device Status LEDs	84
Table 3-102	EtherCAT Port LED	84
Table 4-103	Motherboard Design Guide – Recommended components	90
Table 4-104	Motherboard Design Guide – Grounding	91
Table 5-105	Possible combinations of feedback signals for DC motor	94
Table 5-106	Possible combinations of feedback signals for EC (BLDC) motor	95

••page intentionally left blank••

INDEX

A

abbreviations used 9
 adapters, see “cables (prefab)”
 alerts 6
 analog incremental encoder (differential) 61
 analog inputs 74
 analog outputs 75
 applicable EU directive 21
 applicable regulations 10

B

BiSS encoder
 wiring 100
 bit rate detection 48, 80
 bit rate, default 78
 BLDC motor
 adapters for maxon EC motor 44
 connection 22, 52

C

C1 (capacitor) 86
 cables (prefab)
 Adapter BLACK FPC11poles 44
 Adapter BLUE FPC8poles 45
 Adapter GREEN FPC8poles 45
 CAN-CAN Cable 41
 CAN-COM Cable 41
 Encoder Cable 34
 Ethernet Cable 43
 RS232-COM Cable 5x2core 36
 Sensor Cable 5x2core 36
 Signal Cable 7core 38
 Signal Cable 8core 37
 STO Idle Connector 39
 USB Type A - micro B Cable 82
 CAN bus termination 48, 78
 CAN ID (see “ID”)
 CAN interface 78
 choke, motor 88
 connectors
 X1/X2 29
 X10 40
 X11 41
 X12 41
 X13 82
 X14 42
 X15 42
 X3a/X4a 30
 X3b/X4b 30
 X3c 32
 X5 33
 X6 35

X7 37
 X8 38
 X9 39

country-specific regulations 10

D

D1 (DVS diode) 86
 D2 (DVS diode) 87
 DC motor
 connection 22, 52
 DEV ID (see “ID”)
 device condition, display of 83
 digital high-speed inputs (differential) 65
 digital high-speed inputs (single-ended) 66
 digital high-speed output 67
 digital incremental encoder (differential) 57
 digital incremental encoder (single-ended) 59
 digital inputs 68
 digital outputs 70
 DIP switch SW1 46

E

EC motor
 adapters for maxon EC motor 44
 connection 22, 52
 encoders
 absolute 63
 differential 55
 incremental 57
 serial 63
 SinCos 61
 single-ended 56
 EnDat encoder
 wiring 100
 EPOS4 Connector Set 27
 ESD 10
 EU directive, applicable 21

F

FPC adapters 44
 FU1 (input fuse) 86

H

Hall sensor 53
 how to
 calculate the required supply voltage 50
 choose an adapter for flexprint cable 44
 get help in designing the motherboard 85
 interpret icons (and signs) used in this document 6

I

ID (of the device) 46
 incorporation into surrounding system 21
 incremental encoder 57
 informatory signs 6
 inputs
 analog 74
 digital 68
 high-speed digital 65
 STO 72
 interfaces
 CAN 41, 78
 EtherCAT 42
 location and designation 93
 RS232 40, 76
 SCI 76
 SPI 81
 USB 82
 internal motor chokes 88

J

JP1 49
 jumpers 49

L

LEDs, interpretation of 83
 logic supply 51

M

mandatory action signs 6
 motor choke 88
 motor types, supported 8

N

naming of components 9
 node address (see "ID")
 Node-ID (see "ID")
 notations used 6

O

operating license 21
 outputs
 analog 75
 digital 70
 high-speed digital 67
 STO 73

P

part numbers
 275934 34
 403968 82
 418719 44
 418721 44
 418723 44
 422827 43
 520852 36
 520853 37
 520854 38
 520856 40
 520857 41
 520858 41
 520859 27
 520860 39
 536630 11
 536997 25
 546714 11, 25
 590736 29
 590737 31
 590738 90
 620048 25
 628092 11, 25
 performance data 11
 pin assignment 22
 power supply 50
 precautions 10
 prerequisites prior installation 21
 prohibitive signs 6
 protective measures (ESD) 10
 purpose
 of the device 8
 of the document 5

R

regulations, applicable 10
 RS232 transceiver 89

S

Safe Torque Off (STO) 72
 safety alerts 6
 safety first! 10
 SCI (Serial Communication Interface) 76
 Serial Communication Interface (SCI) 76
 serial encoder 63
 signs used 6
 SPI (Serial Peripheral Interface) 81
 SSI absolute encoder 63
 SSI encoder
 wiring 100
 standards, fulfilled 19
 status LEDs 83

STO (Safe Torque Off) *72*
supply voltage, required *50*
SW1 *46*
symbols used *6*

T

technical data *11*
termination (CAN bus) *48, 78*

U

USB port *82*

W

wiring examples
 additional inductance on Motherboard *88*
 analog incremental encoder *100*
 DC motor *98*
 digital & digital incremental encoder *99*
 digital incremental encoder *99*
 DigOUT *71*
 EC (BLDC) motor *98*
 Hall sensors *99*
 power & logic supply *98*
 SSI encoder *100*



EtherCAT® is a registered trademark and patented technology, licensed by Beckhoff Automation GmbH, Germany

This document is protected by copyright. Any further use (including reproduction, translation, microfilming, and other means of electronic data processing) without prior written approval is not permitted. The mentioned trademarks belong to their respective owners and are protected under intellectual property rights.

© 2019 maxon. All rights reserved. Subject to change without prior notice.

CCMC | EPOS4 Module/Compact 24/1.5 Hardware Reference | Edition 2019-11 | DocID rel8549

maxon motor ag
Brünigstrasse 220
CH-6072 Sachseln

+41 41 666 15 00
www.maxongroup.com